

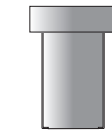
# 4" MINI CYLINDER OPEN 4" ROUND CMH16/PAR20-39 WATT MAX MH



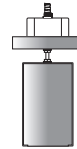
## PRODUCT INFORMATION:

- 4" Cylinder Series for use with CHM16 or PAR20 lamps.
- Can be ordered open (No Trim) or with Black/White Baffle.
- Drawn aluminum cylinder.
- 39 watt max metal halide lamp.
- 20 color options.
- Suitable for damp locations.
- Mini Electronic Ballast.
- Manufactured and tested to UL standard No. 1598.

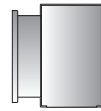
## MOUNTING



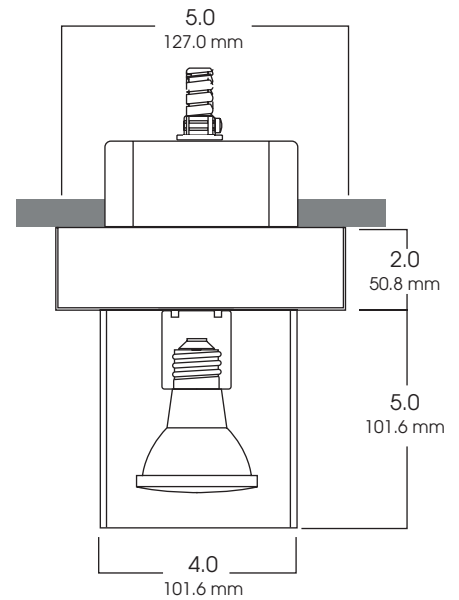
SM- Surface / Ceiling Mount



HM - Hang Straight Pendant  
PM - Pendant Mount

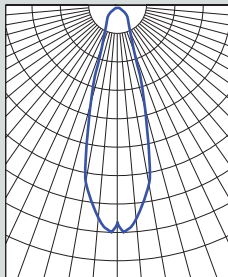


WM - Wall Mount



Fixture Weight: 4.0 lbs

DISTANCE FROM CEILING	DIAMETER OF CIRCLE
5.5	149
7.5	80
9.5	50
11.5	34
13.5	25



CONE OF LIGHT

39w - Efficiency: 90.9%  
Spacing: 0.54

SERIES	WATTS	VOLTAGE	LAMPING	INSERT	MOUNTING	FINISH
SPC0405MH Spectrum Round Metal Halide Cylinder	20 39	E1 -Electronic 120v E2 -Electronic 277v	CMH16 PAR20	BB -Black Micro Baffle WB -White Micro Baffle NT -No Trim	HM* -Hang-Straight Mounting HMAT** -Field Cutable Length Hang Straight Pendant PM* -Pendant Mount SM -Surface Mount WM -Wall Mount	GW -Gloss White GB -Gloss Black MW -Matte White MB -Matte Black BZ -Bronze PT -Platinum Silver MT -Mini Tek Silver TW -Textured White CC -Custom Color
<b>SPC0405MH</b>	<b>20</b>	<b>E1</b>	<b>CMH16</b>	<b>BB</b>	<b>HM36</b>	<b>GW</b>

\* Specify Length in inches  
\*\*12" or 36" lengths only  
See Cylinder Mounting Page  
for Additional Information

Dimensions shown are nominal. Spectrum Lighting is continually improving products and reserves the right to make changes that will not alter performance or appearance with or without written notice.



PROJECT:	TYPE:
CAT. NO.:	

