

# 4" MINI CYLINDER OPEN 4" ROUND PAR-50 WATT MAX INC

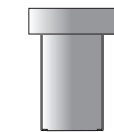
# SPC04 SPECTRUM CYLINDERS



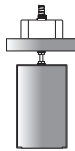
## PRODUCT INFORMATION:

- 4" Cylinder Series for use with PAR20 lamps.
- Can be ordered open (No Trim) or with Black/White Baffle.
- Drawn aluminum cylinder.
- 50 watt max incandescent.
- 20 color options.
- Suitable for damp locations.
- 120 Volt Standard.
- Manufactured and tested to UL standard No. 1598.

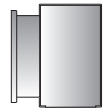
## MOUNTING



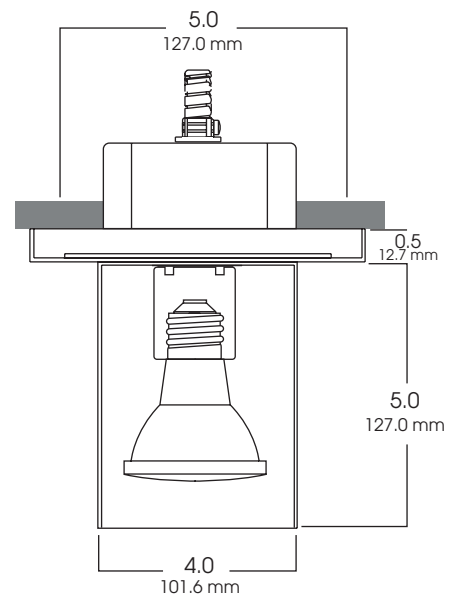
**SM**- Surface / Ceiling Mount



**HM**-Hang Straight Pendant  
**PM**-Pendant Mount



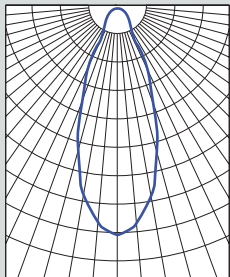
**WM**-Wall Mount



Fixture Weight:

4.0 lbs

DISTANCE FROM CEILING		DIAMETER OF CIRCLE
5.5	27	4.0
7.5	15	5.0
9.5	9	6.0
11.5	6	7.0
13.5	5	9.0



**CONE OF LIGHT**

50w-Efficiency: 90.5%  
Spacing: 0.64

SERIES	LAMP	INSERT	MOUNTING	FINISH
<b>SPC0405INC</b> - Spectrum Round Incandescent Cylinder	<b>PAR 20</b>	<b>BB</b> -Black Micro Baffle <b>WB</b> -White Micro Baffle <b>NT</b> -No Trim	<b>HM*</b> -Hang-Straight Mounting <b>HMAT**</b> -Field Cutable Length Hang Straight Pendant <b>PM*</b> -Pendant Mount <b>SM</b> -Surface Mount <b>WM</b> -Wall Mount	<b>GW</b> -Gloss White <b>GB</b> -Gloss Black <b>MW</b> -Matte White <b>MB</b> -Matte Black <b>BZ</b> -Bronze <b>PT</b> -Platinum Silver <b>MT</b> -Mini Tek Silver <b>TW</b> -Textured White <b>CC</b> -Custom Color
<b>SPC0405INC</b>	<b>PAR 20</b>	<b>BB</b>	<b>HM36</b>	<b>GW</b>

\* Specify Length in inches  
\*\*12" or 36" lengths only

See Cylinder Mounting Page  
for Additional Information

Dimensions shown are nominal. Spectrum Lighting is continually improving products and reserves the right to make changes that will not alter performance or appearance with or without written notice.

**SPECTRUM**  
LIGHTING, INC  
www.speclight.com

PROJECT:

TYPE:

CAT. NO.:



994 Jefferson Street, Fall River, MA 02721 508.678.2303 FAX 508.678.2260