

3" MINI ROUND CYLINDER OPEN 3" ROUND CMH16-39 WATT MAX MH

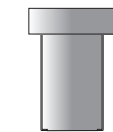
SPC03
SPECTRUM
CYLINDERS



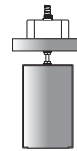
PRODUCT INFORMATION:

- 3" compact round cylinder series for use with metal halide lamp.
- Spun aluminum cylinder.
- 39 watt max metal halide lamp.
- 20 powdercoat options.
- Suitable for damp locations.
- Mini Electronic Ballast.
- Manufactured and tested to UL standard No. 1598.

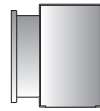
MOUNTING



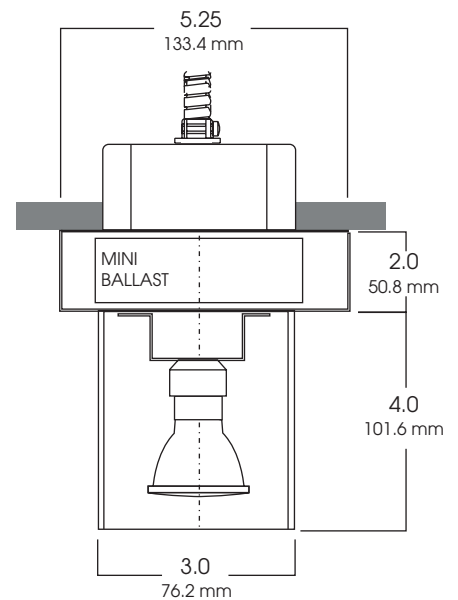
SM- Surface / Ceiling Mount



HM- Hang Straight
PM- Pendant Mount

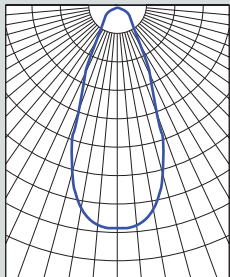


WM- Wall Mount



Fixture Weight: 4.0 lbs

DISTANCE FROM CEILING		DIAMETER OF CIRCLE
5.5	89	3.0
7.5	48	4.0
9.5	30	5.0
11.5	20	6.0
13.5	15	7.0



CONE OF LIGHT

39w- Efficiency: 90.0%
Spacing: 0.70

SERIES	WATTS	VOLTAGE	LAMPING	MOUNTING	FINISH
SPC0304MH Spectrum Round Metal Halide Cylinder	20 39	E1 -Electronic 120v E2 -Electronic 277v	CMH16	HM* -Hang-Straight Mounting HMAT** -Field Cuttable Length Hang Straight Pendant PM* -Pendant Mount SM -Surface Mount WM -Wall Mount	GW -Gloss White GB -Gloss Black MW -Matte White MB -Matte Black BZ -Bronze PT -Platinum Silver MT -Mini Tek Silver TW -Textured White CC -Custom Color
SPC0304MH	20	E1	CMH16	HM36	GW

* Specify Length in inches
**12" or 36" lengths only
See Cylinder Mounting Page for Additional Information

Dimensions shown are nominal. Spectrum Lighting is continually improving products and reserves the right to make changes that will not alter performance or appearance with or without written notice.



PROJECT:

TYPE:

CAT. NO.:

