

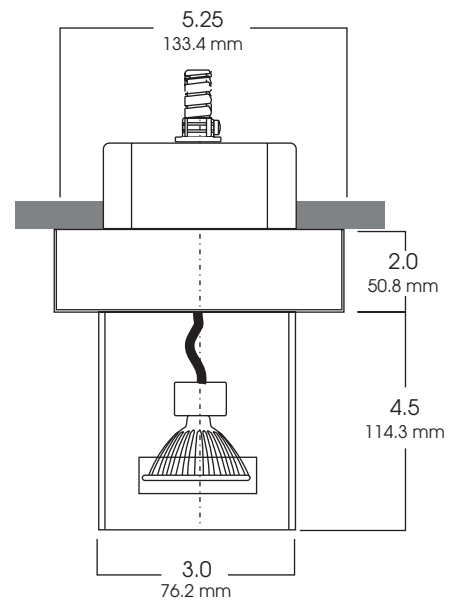
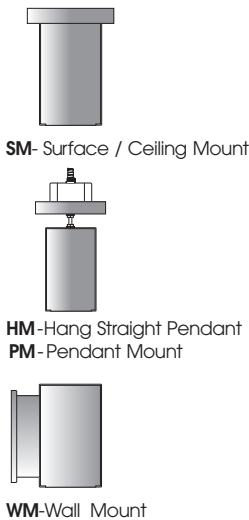
3" MINI ROUND CYLINDER OPEN 3" ROUND MR16-50 WATT MAX INC



PRODUCT INFORMATION:

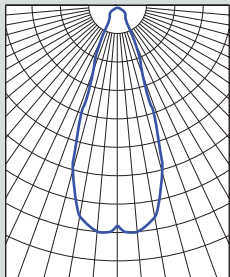
- 3" compact round cylinder series for use with MR16 lamps.
- Drawn aluminum cylinder.
- 50 watt max incandescent
- 20 powder coat options.
- Suitable for damp locations.
- 120 Volt standard (E1). 277v option (E2).
- Manufactured and tested to UL standard No. 1598.

MOUNTING



Fixture Weight: 3.0 lbs

DISTANCE FROM CEILING		DIAMETER OF CIRCLE
5.5	56	4.0
7.5	30	5.0
9.5	19	7.0
11.5	13	8.0
13.5	9	9.0



CONE OF LIGHT

37w-Efficiency: 80.0%
Spacing: 0.66

SERIES	LAMP	VOLTAGE	MOUNTING	FINISH
SPC0304LV Spectrum Round Low Volt Incandescent Cylinder	MR16	E1 -Electronic, 120v E2 -Electronic, 277v	HM* -Hang-Straight Mounting HMAT** -Field Cutable Length Hang Straight Pendant PM* -Pendant Mount SM -Surface Mount WM -Wall Mount	GW -Gloss White GB -Gloss Black MW -Matte White MB -Matte Black BZ -Bronze PT -Platinum Silver MT -Mini Tek Silver TW -Textured White CC -Custom Color
SPC0304LV	MR16	E1	HM36	GW

* Specify Length in inches
**12" or 36" lengths only
See Cylinder Mounting Page for Additional Information

Dimensions shown are nominal. Spectrum Lighting is continually improving products and reserves the right to make changes that will not alter performance or appearance with or without written notice.



PROJECT:	TYPE:
CAT. NO.:	

