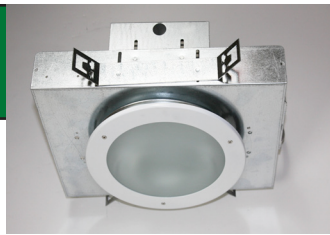


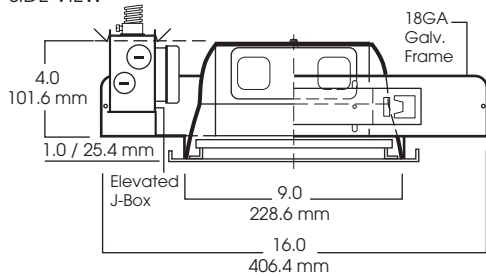
9" HORIZONTAL FLUORESCENT TAMPERPROOF SERIES 2 x 57 WATT MAX

9HF
SPECTRUM
SILVER SERIES™

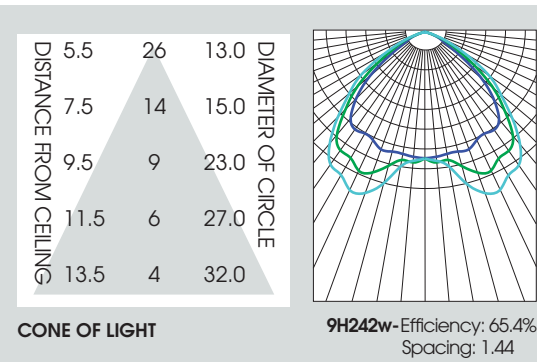
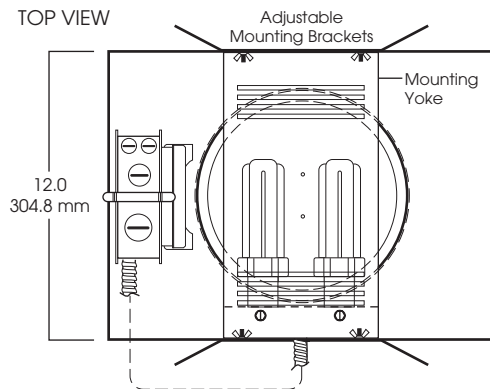


- 9" horizontal lamp compact fluorescent.
- Available open and lensed.
- 20 gauge galvanized steel frame.
- 12" bar hangers expandable to 24" standard.
- .0625 spun aluminum reflector.
- Junction box pre-wired, grounded.
- Electronic ballast 120/277V standard.
- Ballast serviceable from the ceiling aperture.
- Suitable for use in damp location. Lensed fixture has Wet Location option.
- UL listed to standard no. 1598.

SIDE VIEW



TOP VIEW

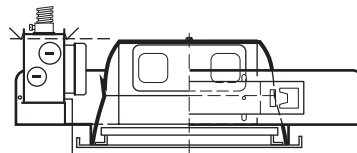


1. SPECIFY FRAME

FRAME	WATTS	BALLAST	OPTIONS
SP9HF	1/2 LAMPS	EX -Electronic 120/277 (standard)	EM -Emergency battery pack (specify voltage)
Spectrum	9	DA1 -Advance Mark10™ dimming, 120v	FS -Fuse holder and fuse
Silver 9"	13	DA2 -Advance Mark 10™ powerline dimming, 277v	PR -Plaster ring (pg 1-430)
Horizontal	18	DM7 -Advance MK7	BH27 -27" mounting bar
	26	DL1 -dimming, 120v thru 277v Lutron Compact SE™ 120v (min. dimming level 5%) ¹	TBC -T-bar clip
	32	DL2 -Lutron Compact SE™ 277v (min. dimming level 5%) ¹	
	42		
	57		
SP9HF	242	EX	FS

2. SPECIFY TRIM

OPEN



TRIM #	FINISH	OPTIONS
9320	FWTP -Flat White Door Tamper Proof	GL -Clear Glass Lens
1/2 LAMPS 13W-42W	FBTP -Flat Black Tamper Proof	PG -Prismatic (T73) Lens
		PC -Clear Polycarbonate
		PP -Prismatic polycarbonate
		GS -Gasket
9320		GS

3. FINISHED ORDER:

SP9HF242EX/9320 FWTP GL

Dimensions shown are nominal. Spectrum Lighting is continually improving products and reserves the right to make changes that will not alter performance or appearance with or without written notice.



PROJECT:	TYPE:
CAT. NO.:	

