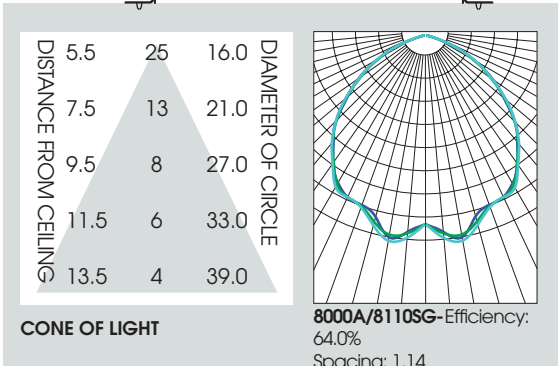
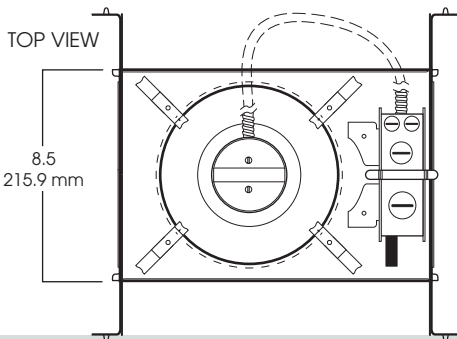
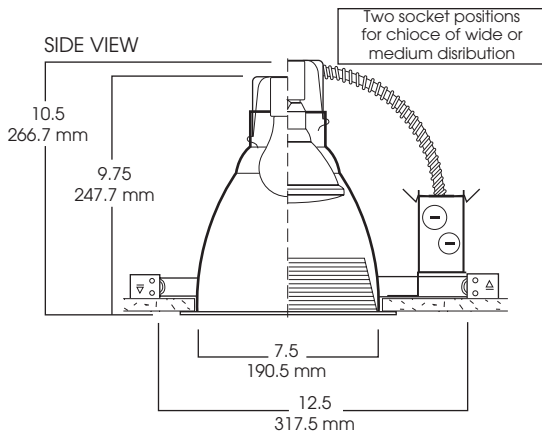


8" MH SERIES OPEN/ WALL WASH/BAFFLE 100 WATT MAX



- 8" MH Series.
- Available open.
- 20 gauge galvanized steel frame.
- 12" bar hangers expandable to 24" standard.
- .0625 spun aluminum reflector.
- Junction box pre-wired, grounded.
- Electronic ballast 120/277V standard.
- Ballast serviceable from the ceiling aperture.
- Suitable for use in damp location. Lensed fixture has Wet Location option.
- UL listed to standard no. 1598.



1. SPECIFY FRAME

FRAME	WATTS	BALLAST	LAMP	OPTIONS
SP8MH- Spectrum Silver 8" Metal Halide	70 100 50 39	EX -Electronic, multi-volt 120v thru 277v	PAR 38 E17	FS -Fuse holder and fuse BH27 -27" Mounting Bars (2 per set) PR -Plaster Ring 1-430 RM -Remodeler Housing 1-450 SCA -Slope Ceiling Adaptor 1-435 TBC -T-bar clips 1-475 QRS120 -Quartz Restrike-120v QRS277 -Quartz Restrike-277v
SP8MH	100	EX		FS/

2. SPECIFY TRIM

OPEN			LENSED		
TRIM #	FINISH	OPTIONS	TRIM #	FINISH	OPTIONS
8110 Open Trim	SG -Soft Glow CL -Clear Alzak GO -Gold Alzak HZ -Haze	PF -Polished Flange BF -Black Flange	8120 Lensed Trim	WS -White / White flange (standard) SG -Soft Glow/ White flange	PG -Prismatic Glass lens (standard) FG -Frosted Glass FL -Fresnel Lens GL -Clear Glass lens GS -Gasket WL -Wet Location 1-470 XB -Cross Blade Louver DO -Drop Opal
8920 Wall Wash	PW -Pewter UM -Umber Alzak WE -Wheat Alzak BL -Black Finish WH -White Finish PF -Polished Flange	BB -Black Micro Baffle WB -White Micro Baffle		RB -Regressed Black baffle White flange RW -Regressed White baffle White flange PF -Polished Flange BF -Black Flange	
8110 SG		PF	8120 SGS		PG

3. FINISHED ORDER:

SP8MH100EX/8110 SG

Dimensions shown are nominal. Spectrum Lighting is continually improving products and reserves the right to make changes that will not alter performance or appearance with or without written notice.



PROJECT:	TYPE:
CAT. NO.:	

