



8" HORIZONTAL FLUORESCENT 2" CROSS BAFFLE 2 x 42 WATT MAX

8HF
SPECTRUM
SILVER SERIES™

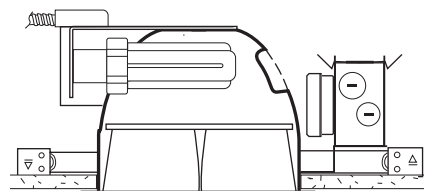
- 8" horizontal lamp compact fluorescent with cross blade louver.
- 20 gauge galvanized steel frame.
- 12" bar hangers expandable to 24" standard.
- .0625 spun aluminum reflector.
- Junction box pre-wired, grounded.
- Electronic ballast 120/277V standard.
- Ballast serviceable from the ceiling aperture.
- Suitable for use in damp location.
- UL listed to standard no. 1598.

1. SPECIFY FRAME

FRAME	WATTS	BALLAST	OPTIONS
SP8HF	2 QUAD	EX -Electronic 120/277 (standard)	EM -Emergency battery pack (specify voltage)
Spectrum	13	DA1 -Advance Mark10™ dimming, 120v	FS -Fuse holder and fuse
Silver 8"	18	DA2 -Advance Mark 10™ powerline dimming, 277v	PR -Plaster ring (pg 1-430)
Horizontal	26	DM7 -Advance MK7 Dimming 120/277	RM -Remodler housing
	1/2 TT	DL1 -Lutron Compact SE™ 120v (min. dimming level 5%) ¹	BH27 -27" mounting bar
	13TT	DL2 -Lutron Compact SE™ 277v (min. dimming level 5%) ¹	TBC -T-bar clip
	18TT		
	26 TT		
	32TT		
	42TT		
SP8HF	226	EX	

2. SPECIFY TRIM

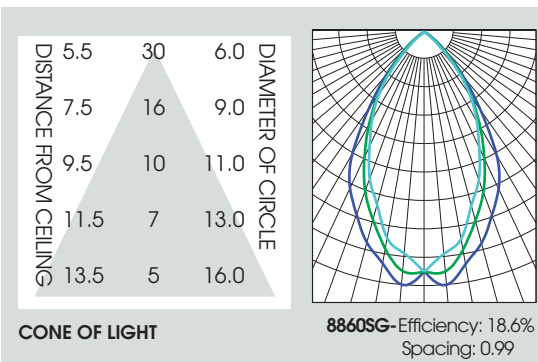
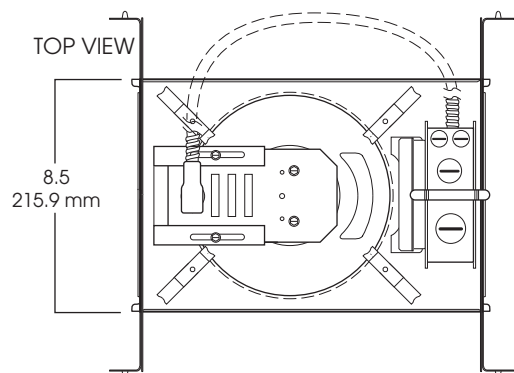
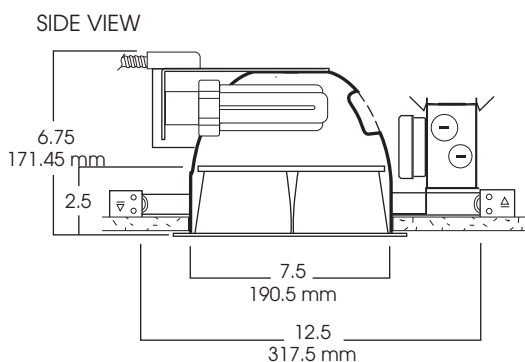
OPEN/CROSS BAFFLE



TRIM #	FINISH	OPTIONS
8850	SG -Soft Glow	PF -Polished
Open	CL -Clear Alzak	Flange
2 Quad	GO -Gold Alzak	BF -Black
	HZ -Haze	Flange
8855	PW -Pewter	GS -Gasket
Open	UM -Umber Alzak	
1 TT	WE -Wheat Alzak	
8860	BL -Black Finish	
Open	WH -White Finish	
2 TT	PF -Polished	
	Flange	
	BF -Black	
	Flange	
8850 SG		GS

3. FINISHED ORDER:

SP8HF242EX/8860 SG



Dimensions shown are nominal. Spectrum Lighting is continually improving products and reserves the right to make changes that will not alter performance or appearance with or without written notice.



PROJECT:

TYPE:

CAT. NO.:

