

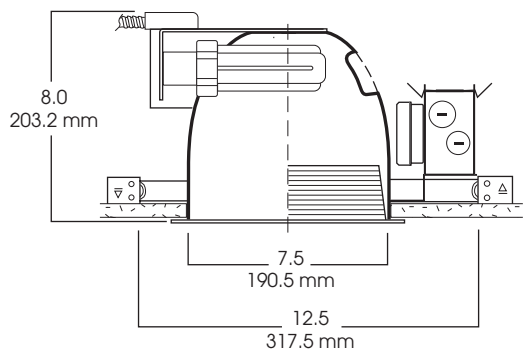


# 8" HORIZONTAL FLUORESCENT OPEN/LENS 2 x 42 WATT MAX

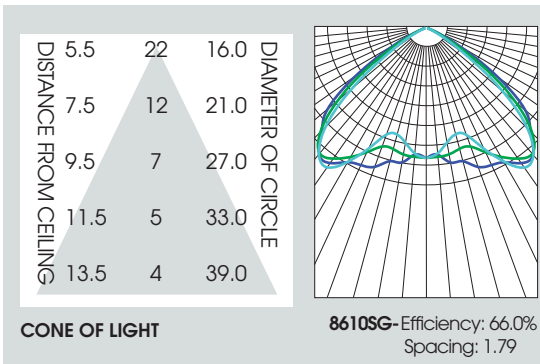
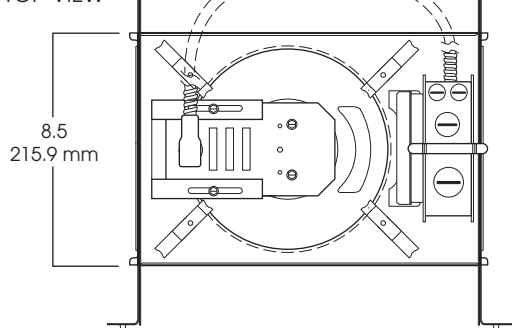
**8HF**  
**SPECTRUM**  
SILVER SERIES™

- 8" horizontal lamp compact fluorescent.
- Available open, lensed, and wall wash.
- 20 gauge galvanized steel frame.
- 12" bar hangers expandable to 24" standard.
- .0625 spun aluminum reflector.
- Junction box pre-wired, grounded.
- Electronic ballast 120/277V standard.
- Ballast serviceable from the ceiling aperture.
- Suitable for use in damp location. Lensed fixture has Wet Location option.
- UL listed to standard no. 1598.

SIDE VIEW



TOP VIEW



## 1. SPECIFY FRAME

FRAME	WATTS	BALLAST	OPTIONS
<b>SP8HF</b>	2 LAMP QUAD	<b>EX</b> -Electronic 120/277 (standard)	<b>EM</b> -Emergency battery pack (specify voltage)
Spectrum	<b>13</b>	<b>DA1</b> -Advance Mark10™ dimming, 120v	<b>FS</b> -Fuse holder and fuse
Silver 8"	<b>18</b>		
Horizontal	<b>26</b>		
	1/2 LAMP TT	<b>DA2</b> -Advance Mark 10™ powerline dimming, 277v	<b>PR</b> -Plaster ring (pg 1-430)
	<b>13TT</b>	<b>DM7</b> -Advanced MK7 Dimming 120/277	<b>RM</b> -Remodler housing
	<b>18TT</b>		
	<b>26TT</b>	<b>DL1</b> -Lutron Compact SE™ 120v (min. dimming level 5%) <sup>1</sup>	<b>BH27</b> -27" mounting bar
	<b>32TT</b>		
	<b>42TT</b>	<b>DL2</b> -Lutron Compact SE™ 277v (min. dimming level 5%) <sup>1</sup>	<b>TBC</b> -T-bar clip

**SP8HF**

**242**

**EX**

## 2. SPECIFY TRIM

OPEN/WALL WASH			LENSED		
TRIM #	FINISH	OPTIONS	TRIM #	SPLAY FINISH	LENS/OPTIONS
<b>8510</b>	<b>SG</b> -Soft Glow	<b>PF</b> -Polished Flange	<b>8520</b>	<b>WS</b> -White / White flange (standard)	<b>PG</b> -Prismatic Glass lens (standard)
2 QUAD	<b>CL</b> -Clear Alzak	<b>BF</b> -Black Flange		<b>SGS</b> -Soft Glow/ White flange	<b>FG</b> -Frosted Glass
	<b>GO</b> -Gold Alzak		<b>8625</b>	<b>RB</b> -Regressed Black baffle White flange	<b>FL</b> -Fresnel Lens
<b>8615</b>	<b>HZ</b> -Haze		1TT		<b>GL</b> -Clear Glass lens
1TT	<b>PW</b> -Pewter	<b>BB</b> -Black Micro Baffle	<b>8620</b>	<b>RW</b> -Regressed White baffle White flange	<b>GS</b> -Gasket
	<b>UM</b> -Umber Alzak		2TT		<b>WL</b> -Wet Location 1-470
<b>8610</b>	<b>WE</b> -Wheat Alzak	<b>WB</b> -White Micro Baffle		<b>PF</b> -Polished Flange	<b>XB</b> -Cross Blade Louver
2TT	<b>BL</b> -Black Finish			<b>BF</b> -Black Flange	<b>DO</b> -Drop Opal
	<b>WH</b> -White Finish	<b>GS</b> -Gasket			
	<b>PF</b> -Polished Flange				
	<b>BF</b> -Black Flange				

**8610 SG**

**GS**

**8620**

**WS**

**PG**

## 3. FINISHED ORDER:

**SP8HF242EX/8620 WS PG**

Dimensions shown are nominal. Spectrum Lighting is continually improving products and reserves the right to make changes that will not alter performance or appearance with or without written notice.



PROJECT:

TYPE:

CAT. NO.:

