

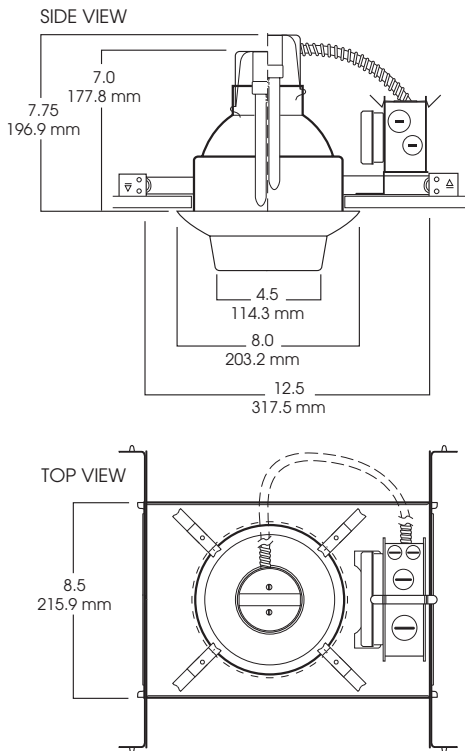


DP= Drop Acrylic



FAF=Flush Fresnel

- 6 1/2" (7") vertical lamp compact fluorescent.
- Available lensed.
- Acrylic (Plastic) trim face and lens.
- 20 gauge galvanized steel frame.
- 12" bar hangers expandable to 24" standard.
- .0625 spun aluminum reflector.
- Junction box pre-wired, grounded.
- Electronic ballast 120/277v standard.
- Ballast serviceable from the ceiling aperture.
- Suitable for use in damp location. Lensed fixture has Wet Location option
- UL listed to standard no. 1598



7" VERTICAL FLUORESCENT SHOWER LIGHT

1 x 42 WATT MAX

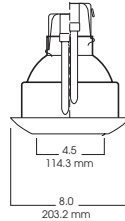


1. SPECIFY FRAME

FRAME	WATTS	BALLAST	OPTIONS
SP7VF-	118	EX -Electronic, multi-volt 120v thru 277v	EM -Emergency battery pack (specify voltage)
Spectrum	126	DA1 -Advance Mark 10™ powerline dimming, 120v	FS -Fuse holder and fuse
Silver 7"	132	DA2 -Advance Mark 10™ powerline dimming, 277v	PR -Plaster ring (pg 1-430)
Vertical	142	DM7 -Advance Mark 7™ 0-10v dimming, 120v thru 277v	RM -Remodler housing
		DL1 -Lutron Compact SET™ 120v (min. dimming level 5%) ¹	BH27 -27" mounting bar
		DL2 -Lutron Compact SET™ 277v (min. dimming level 5%) ¹	TBC -T-bar clip
SP7VF	132	EX	EM/

2. SPECIFY TRIM

FLUSH FRONT/ACRYLIC LENS



TRIM #	FINISH	OPTIONS
7160	Flush Front	DP -Drop Acrylic Lens FAF -Flush Acrylic Fresnel WL -Wet Location
7160		DP

3. FINISHED ORDER/SPECIFICATION

SP7VF132EX/7160 DP

Dimensions shown are nominal. Spectrum Lighting is continually improving products and reserves the right to make changes that will not alter performance or appearance with or without written notice.



PROJECT:	TYPE:
CAT. NO.:	

994 Jefferson Street, Fall River, MA 02721 508.678.2303 FAX 508.678.2260

