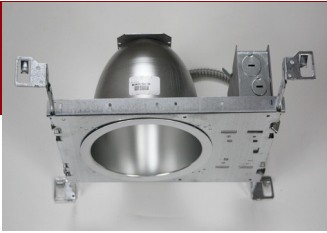


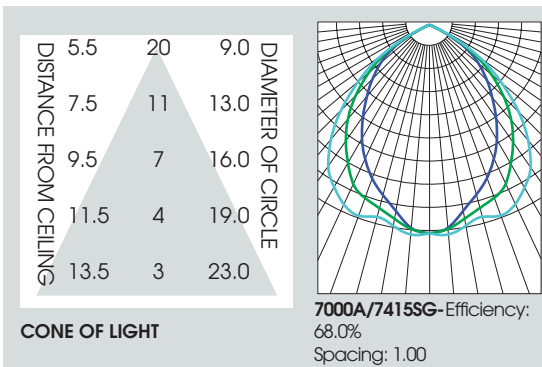
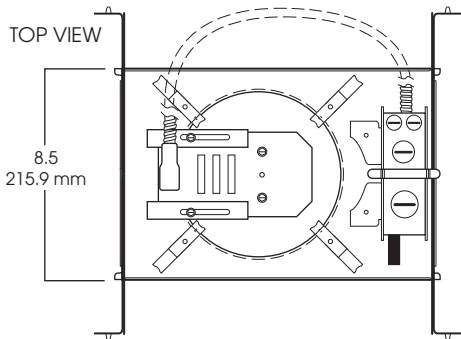
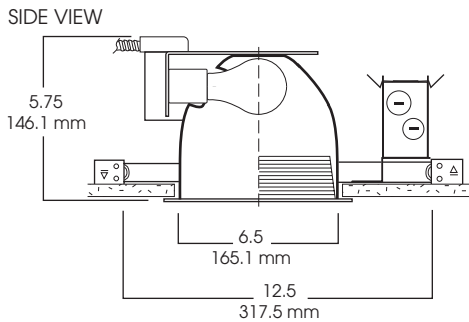
# 7" INCANDESCENT SERIES OPEN/ WALL WASH/ LENS 100 WATT MAX

# 7010A SPECTRUM SILVER SERIES™



## FEATURES & SPECIFICATIONS:

- 7" Horizontal incandescent series, excellent cutoff.
- Available open, lensed and wall wash.
- 20 gauge galvanized frame.
- 12" bar hangers expandable to 24" standard. BH27 - 27" bars available.
- Junction box pre-wired, grounded.
- Suitable for use in damp location. Lensed fixture has Wet Location option.
- Manufactured and tested to UL No.1598.



CONE OF LIGHT

Dimensions shown are nominal. Spectrum Lighting is continually improving products and reserves the right to make changes that will not alter performance or appearance with or without written notice.



## 1. SPECIFY FRAME

FRAME	LAMPS	OPTIONS
<b>SP7010A</b> Spectrum Silver 7"	<b>A19</b>	<b>T277-277V TO 120V</b> Step-Down transformer <b>BH27-27"</b> Mounting Bars (2 per set) <b>FS</b> -Fuse holder and fuse <b>PR</b> -Plaster Ring 1-430 <b>RM</b> -Remodeler Housing (Split Frame) <b>SCA</b> -Slope Ceiling Adaptor 1-435 <b>TBC</b> -T-bar clips 1-475
<b>SP7010A</b>		<b>FS</b>

## 2. SPECIFY TRIM

OPEN			LENSED		
TRIM #	FINISH	OPTIONS	TRIM #	FINISH	OPTIONS
<b>7415</b> Open Trim	<b>SG</b> -Soft Glow <b>CL</b> -Clear Alzak <b>GO</b> -Gold Alzak <b>HZ</b> -Haze <b>PW</b> -Pewter <b>UM</b> -Umber Alzak <b>WE</b> -Wheat Alzak <b>BL</b> -Black Finish <b>WH</b> -White Finish <b>PF</b> -Polished Flange	<b>GS</b> -Gasket <b>BB</b> -Black Micro Baffle <b>WB</b> -White Micro Baffle <b>PF</b> -Polished Flange	<b>7425</b> Lensed Trim	<b>WS</b> -White Splay/Flange(standard) <b>SGS</b> -Soft Glow Alzak Splay/White Flange <b>RW</b> -Regressed White Baffle Splay/White Flange <b>RB</b> -Regressed Baffled Splay Black W/White Flange	<b>GL</b> -Clear Temp Glass Lens <b>PG</b> -Prismatic Glass <b>FG</b> -Frosted Glass Lens <b>FA</b> -Flat Alba Glass Lens <b>FL</b> -Fresnel Glass Lens <b>DO</b> -Drop Opal Glass Lens
<b>7490</b> Wall Wash					
<b>7415 SG</b>		<b>GS</b>	<b>7425 SGS</b>		<b>PG</b>

## 3. FINISHED ORDER/SPECIFICATION

**SP7010A/7415 SG**

<b>PROJECT:</b>	<b>TYPE:</b>
<b>CAT. NO.:</b>	

