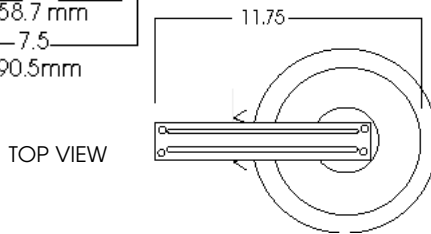
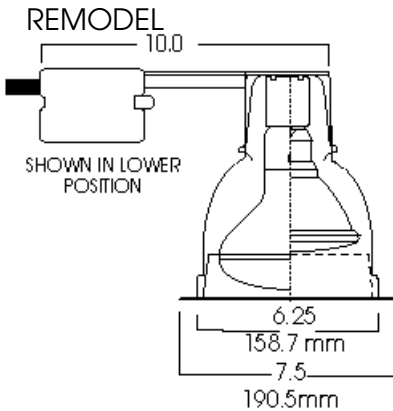
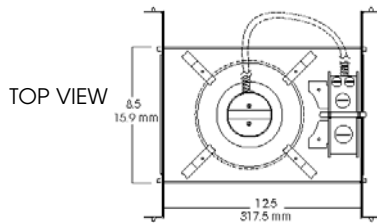
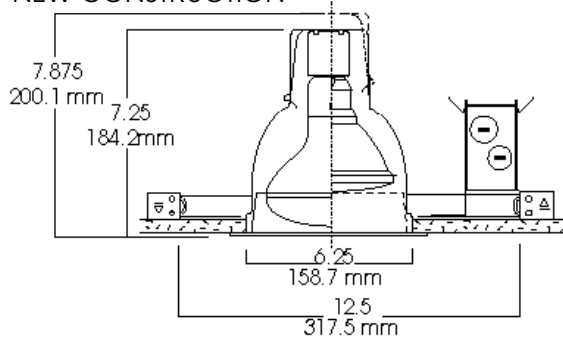


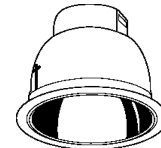
NEW CONSTRUCTION



FIXTURE SPECIFICATIONS

FIXTURE	AVAILABLE LAMP
SP7000A	PAR30L
120 Volt-Standard see below to order T277 for step down trans- former	PAR38
	R30
	R40
	A19
	A21

TRIM SPECIFICATIONS



FINISHED TO SPECIFICATION.
 REFLECTORS AND BAFFLES HEAVY
 GAUGE ALUMINUM, FLANGE
 PAINTED MATTE WHITE.

TRIM NO:
R40

FINISH:

TRIM OPTIONS

- SG-** Soft Glow Diffuse Alzak
- CL-** Clear Alzak
- WE-** Wheat Alzak
- GO-** Gold Alzak
- UM-** Umber Alzak
- PW-** Pewter Alzak
- BL-** Black Finish
- WH-** White Finish

- PF-** Polished Flange
- BF-** Black Flange
- BB-** Black Micro Baffle
- WB-** White Micro Baffle

TYPICAL ORDER

NEW CONSTRUCTION ORDER EXAMPLE
 Line item 1 (FRAME): **SP7000A**
 Line Item 2 (TRIM): **R40SG**

REMODEL ORDER EXAMPLE:
 Line item 1 (FRAME): **SP40RM**
 Line Item 2 (TRIM): **R40 SG**

PRODUCT INFORMATION

- "Estimator" Series is a quality housing with a variety of trim options. Easy to install.
- #20 GA steel pan.
- Aluminum housing dissipates heat.
- 12" bar hangers expandable to 24" standard
- Junction box pre-wired, grounded, thermally protected.
- 3" from insulation required.
- Suitable for use in damp location.
- Manufactured and assembled in U.S.A.
- Manufactured and tested to UL standard No. 1598/ETL

FRAME OPTIONS

- T277** - 277Volt to 120 Volt (Step Down Transformer).
- BH27** - 27" Mounting bars (2 per set)
- RM** - Remodeler (cut away)
- PR** - Plaster Ring (see available depths).

TRIM OPTIONS

- GS** - Gasket (For Reflector).
- FS** - Fusing

SUBMITTAL WORKSHEET

FIXTURE NO.

FRAME-IN-KIT NO.

FIXTURE TYPE

4-609