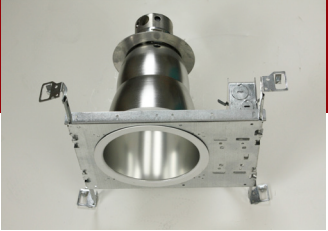


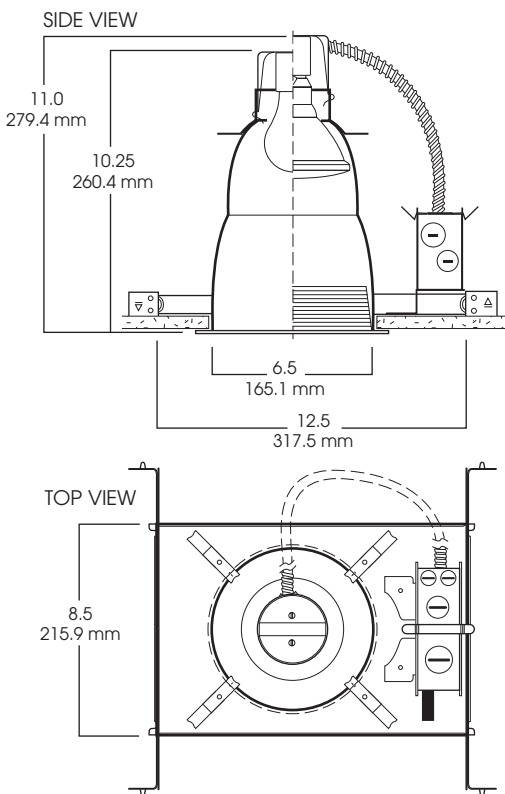
7" INCANDESCENT SERIES OPEN/ VERTICAL HIGH WATTAGE 300 WATT MAX

7000A SPECTRUM SILVER SERIES™



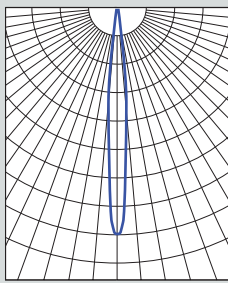
FEATURES & SPECIFICATIONS:

- 7" Deep incandescent series.
- Available Open.
- 20 gauge galvanized frame.
- 12" bar hangers expandable to 24" standard. BH27 - 27" bars available.
- Junction box pre-wired, grounded.
- Suitable for use in damp location.
- Manufactured and tested to UL No.1598.



DISTANCE FROM CEILING		DIAMETER OF CIRCLE
5.5	1319	3.0
7.5	709	4.0
9.5	442	5.0
11.5	302	6.0
13.5	219	7.0

CONE OF LIGHT



7000A/7300SG-Efficiency:
90.1%
Spacing: 0.18

Dimensions shown are nominal. Spectrum Lighting is continually improving products and reserves the right to make changes that will not alter performance or appearance with or without written notice.

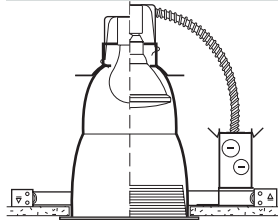


1. SPECIFY FRAME

FRAME	LAMPS	OPTIONS
SP7000A Spectrum Silver 7"	A19 A21 R30 PAR20 PAR30L PAR38 R40	T277 -277V TO 120V Step-Down transformer BH27 -27" Mounting Bars (2 per set) FS -Fuse holder and fuse PR -Plaster Ring 1-430 RM -Remodeler Housing (Split Frame) SCA -Slope Ceiling Adaptor 1-435 TBC -T-bar clips 1-475
SP7000A		FS

2. SPECIFY TRIM

OPEN



TRIM #	FINISH	OPTIONS
7300 Open Trim	SG -Soft Glow CL -Clear Alzak GO -Gold Alzak HZ -Haze PW -Pewter UM -Umber Alzak WE -Wheat Alzak BL -Black Finish WH -White Finish PF -Polished Flange	GS -Gasket BB -Black Micro Baffle WB -White Micro Baffle PF -Polished Flange
7300 SG		GS

3. FINISHED ORDER/SPECIFICATION

SP7000A/7300 SG

PROJECT:

TYPE:

CAT. NO.:

