



6" HORIZONTAL FLUORESCENT OPEN/LENS/WALL WASH

2 x 26 WATT / 1 x 42 WATT MAX

6HF
SPECTRUM
SILVER SERIES™

- 6" horizontal lamp compact fluorescent.
- Available open, lensed, and wall wash.
- 20 gauge galvanized steel frame.
- 12" bar hangers expandable to 24" standard.
- .0625 spun aluminum reflector.
- Junction box pre-wired, grounded.
- Electronic ballast 120/277V standard.
- Ballast serviceable from the ceiling aperture.
- Suitable for use in damp location. Lensed fixture has Wet Location option
- UL listed to standard no.1598

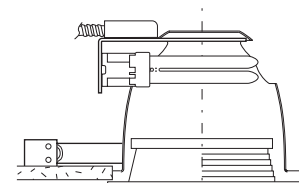
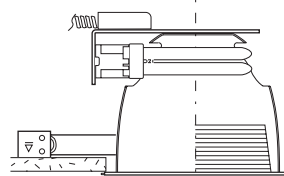
1. SPECIFY FRAME

FRAME	WATTS	BALLAST	OPTIONS
SP6HF	2 QUAD	EX -Electronic 120/277 (standard)	EM -Emergency battery pack (specify voltage)
Spectrum	13	DA1 -Advance Mark10™ dimming, 120v	FS -Fuse holder and fuse
Silver 6"	18	DA2 -Advance Mark 10™ powerline dimming, 277v	PR -Plaster ring (pg 1-430)
Horizontal	26	DM7 -Advance MK7 Dimming 120/277	RM -Remodler housing
	1 LAMP TT	DL1 -Lutron Compact SE™ 120v (min. dimming level 5%) ¹	BH27 -27" mounting bar
	13TT	DL2 -Lutron Compact SE™ 277v (min. dimming level 5%) ¹	TBC -T-bar clip
	18TT		
	26TT		
	32TT		
	42TT		

SP6HF 126 EX

2. SPECIFY TRIM

OPEN/WALL WASH LENSED

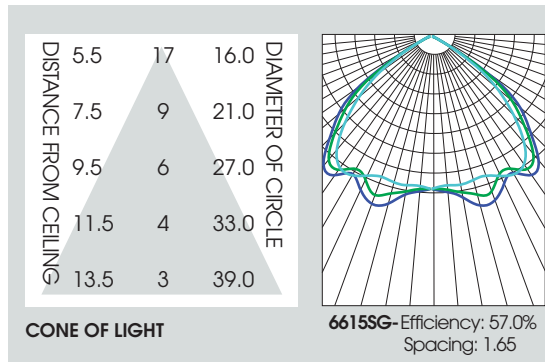
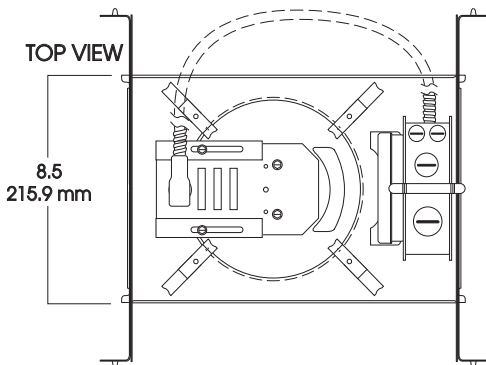
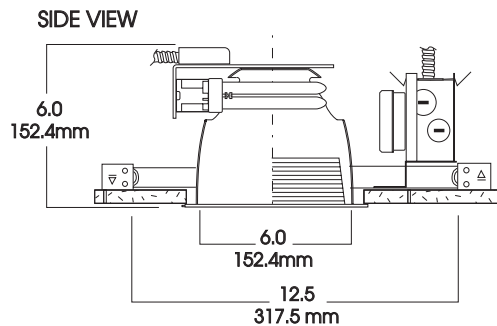


TRIM #	FINISH	OPTIONS	TRIM #	SPLAY FINISH	LENS/OPTIONS
6510	SG -Soft Glow	PF -Polished Flange	6520	WS -White / White flange (standard)	PG -Prismatic Glass lens (standard)
Open 2 Quad	CL -Clear Alzak	BF -Black Flange	Lensed Trim 2 Quad	SGS -Soft Glow/ White flange	FG -Frosted Glass
6615	GO -Gold Alzak	BB -Black Micro Baffle	6625	RB -Regressed Black baffle White flange	FL -Fresnel Lens
Open 1TT	HZ -Haze	WB -White Micro Baffle	Lensed Trim 1TT	RW -Regressed White baffle White flange	GL -Clear Glass lens
6905	PW -Pewter	GS -Gasket		PF -Polished Flange	GS -Gasket
Wall Wash 2 Quad	UM -Umber Alzak			BF -Black Flange	WL -Wet Location 1-470
6992	WE -Wheat Alzak				XB -Cross Blade Louver
Wall Wash 1TT	BL -Black Finish				
	WH -White Finish				

6510 SG GS 6520 WS PG

3. FINISHED ORDER:

SP6HF126EX/6625 WS FL



Dimensions shown are nominal. Spectrum Lighting is continually improving products and reserves the right to make changes that will not alter performance or appearance with or without written notice.



PROJECT:	TYPE:
CAT. NO.:	

