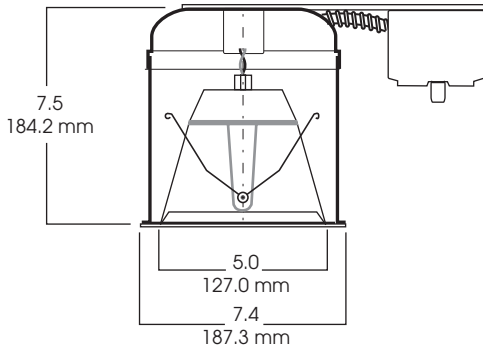


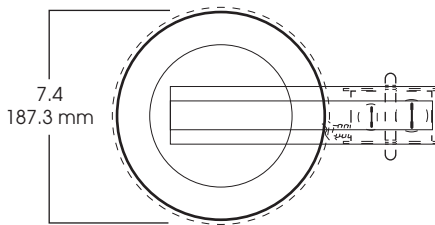


- SP Series LED Retrofit.
- Insulated Ceiling (ICAT) and Non-insulated ceiling available.
- LED module has medium base adaptor.
- Module finished in matte white.
- LED module can be ordered separately.
- CRI of 82
- Energy Star Qualified.
- 120v Standard. T277 v option.
- Manufactured and Tested to UL Standard No. 8750.

**SIDE VIEW**



**TOP VIEW**



Dimensions shown are nominal. Spectrum Lighting is continually improving products and reserves the right to make changes that will not alter performance or appearance with or without written notice.



**6" ESTIMATOR SERIES  
LED DOWNLIGHT  
RETROFIT**

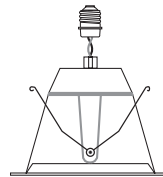
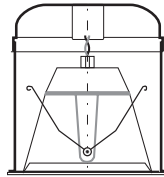
**6000P  
SPECTRUM  
SILVER SERIES™**

**1. SPECIFY FRAME**

FRAME	OPTIONS	MODULE	LUMENS	KELVIN
<b>SP6000P-</b> Spectrum Silver 6" Estimator Series	<b>T277</b> -277v to 120v Step Down Transformer <b>RMICAT</b> -Remodler IC Air Tight Housing <b>RM</b> -Remodler Housing (Non- IC/AT) <b>GU24</b> -GU24 Socket	<b>RP6 (LED)</b>	<b>650 LU (11 WATTS)</b>	<b>27K</b> -2700° K <b>30K</b> -3000° K
<b>SP6000P</b>	<b>RMICAT/</b>	<b>RP6LED</b>	<b>650LU</b>	<b>30K</b>

**2. SPECIFY TRIM**

**TRIM OPTIONS**



Traditional Lamps	Lumens	Life	Watts Saved*	Energy Savings*	Life Benefit*
Incandescent 65w BR30	640	2000	54	\$280 <sup>1</sup>	17x
Halogen 50w BR30/SS/HAL	585	2500	39	\$150 <sup>1</sup>	14x
Halogen 50w PAR30LN/WFL	660	2500	39	\$150 <sup>1</sup>	14x
Compact Fluorescent 15w BR30	600	8000	4	\$15 <sup>1</sup>	4x

\* with **RP6 LED SO**  
650 Lumens  
35,000 Life

<sup>1</sup> Based on \$0.11/Kwh,  
3 hours a day



**3. FINISHED ORDER/SPECIFICATION**

**SP6000P RMICAT / RP6LED 650LU 30K**

<b>PROJECT:</b>	<b>TYPE:</b>
<b>CAT. NO.:</b>	