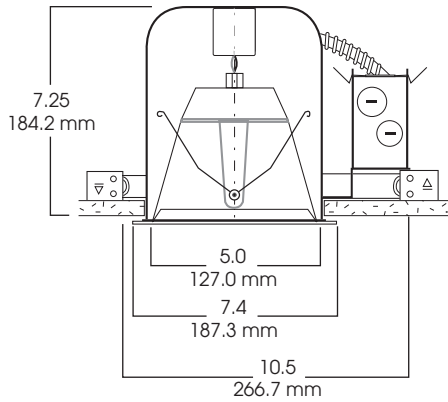


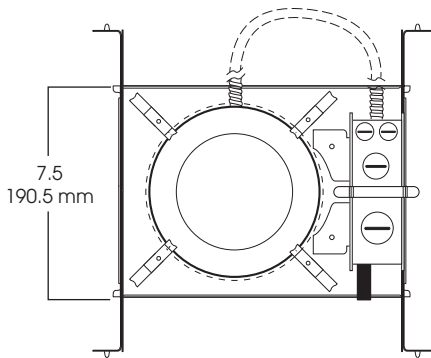


- SP Series LED New Construction.
- Insulated Ceiling (ICAT) and Non-insulated ceiling available.
- LED module has medium base adaptor.
- Module finished in matte white.
- LED module can be ordered separately.
- CRI of 82
- Energy Star Qualified.
- 120v Standard. T277 v option.
- Manufactured and Tested to UL Standard No. 8750.

SIDE VIEW



TOP VIEW



Dimensions shown are nominal. Spectrum Lighting is continually improving products and reserves the right to make changes that will not alter performance or appearance with or without written notice.



**6" ESTIMATOR SERIES
LED DOWNLIGHT
NEW CONSTRUCTION**

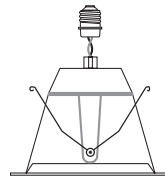
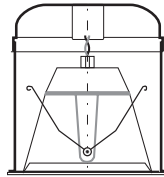
**6000P
SPECTRUM
SILVER SERIES™**

1. SPECIFY FRAME

FRAME	OPTIONS	MODULE	LUMENS	KELVIN
SP6000P- Spectrum Silver 6" Estimator Series	T277 -277v to 120v Step Down Transformer BH27 -27" Mounting Bars FS -Fuse holder and fuse TBC -T-bar clips 1-475 IC ICAT -Air Tight IC Housing	RP6 (LED)	650 LU (11 WATTS)	27K -2700° K 30K -3000° K
SP6000P	ICAT	RP6LED	650LU	30K

2. SPECIFY TRIM

TRIM OPTIONS



Traditional Lamps	Lumens	Life	Watts Saved*	Energy Savings*	Life Benefit*
Incandescent 65w BR30	640	2000	54	\$280 ¹	17x
Halogen 50w BR30/SS/HAL	585	2500	39	\$150 ¹	14x
Halogen 50w PAR30LN/WFL	660	2500	39	\$150 ¹	14x
Compact Fluorescent 15w BR30	600	8000	4	\$15 ¹	4x

* with **RP6 LED SO**
650 Lumens
35,000 Life

¹ Based on \$0.11/Kwh,
3 hours a day



3. FINISHED ORDER/SPECIFICATION

SP6000P ICAT / RP6LED 650LU 30K

PROJECT:	TYPE:
CAT. NO.:	