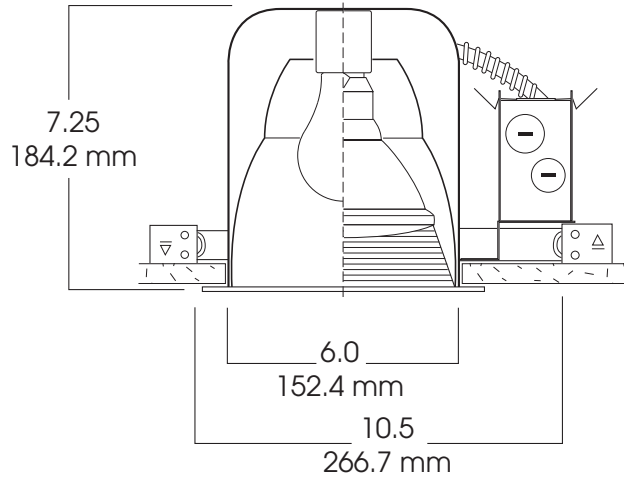




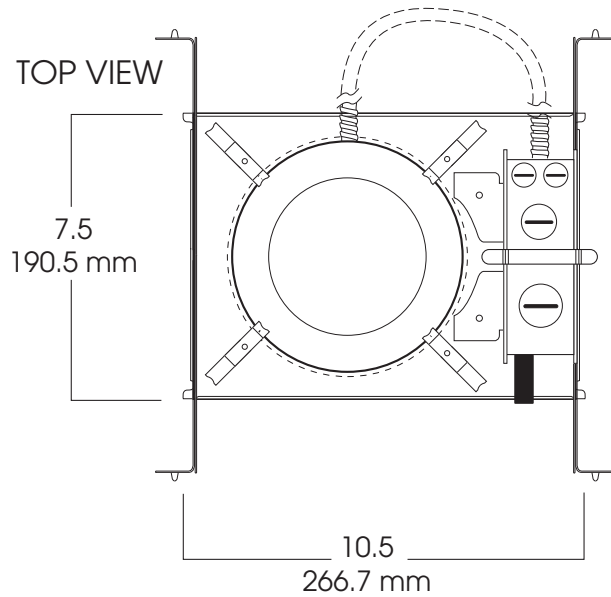
**ESTIMATOR 6" SERIES
6" FULL REFLECTOR STYLE
150 WATT MAX**

6000P
SERIES

SIDE VIEW



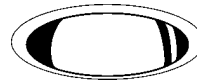
TOP VIEW



FIXTURE SPECIFICATIONS

FIXTURE	AVAILABLE LAMP
SP6000P	PAR20
120 Volt-Standard see below to order T277 for step down trans- former	PAR30L
	R30
	R40
	A19
	A21

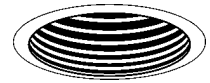
TRIM SPECIFICATIONS



TRIM NO:
6310

FINISH:

- SG**- Soft Glow Diffuse Alzak
- CL**- Clear Alzak
- WE**- Wheat Alzak
- GO**-Gold Alzak
- UM**- Umber Alzak
- PW**- Pewter Alzak
- BL**- Black Finish
- WH**- White Finish



TRIM OPTIONS

- PF**- Polished Flange
- BF**- Black Flange
- BB**- Black Micro Baffle
- WB**- White Micro Baffle

TYPICAL ORDER

Line Item 1 (FRAME): **SP6000P**
Line Item 2 (TRIM): **6310 SG**

PRODUCT INFORMATION

- Standard "White Can" housing with a range of trim colors
- Full reflector improves efficiency with A-Type lamps.
- Reflectors spun heavy gauge aluminum with white poly flange.
- 20 gauge galvanized frame.
- 12" bar hangers expandable to 24" standard
- Junction box pre-wired, grounded, thermally protected.
- 3" from insulation required.
- Suitable for use in damp location.
- Manufactured and tested to UL standard No. 1598/ETL Listed.

FRAME OPTIONS

- T277** - 277Volt to 120 Volt (Step Down Transformer).
- BH27** - 27" Mounting bars (2 per set)
- RM**- Remodeler (cut away)
- PR** - Plaster Ring (see available depths).

TRIM OPTIONS

- GS** - Gasket (For Reflector).
- FS**- Fusing

SUBMITTAL WORKSHEET

FIXTURE NO.

FRAME-IN-KIT NO.

FIXTURE TYPE

4-501

