



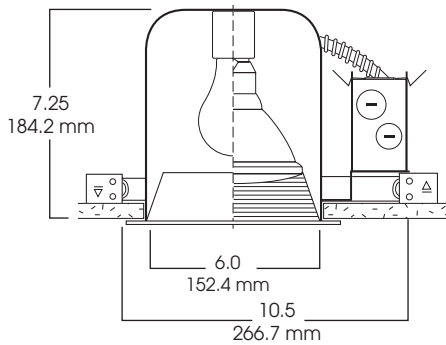
6" ESTIMATOR SERIES DOWNLIGHT

6000P
SPECTRUM
SILVER SERIES™

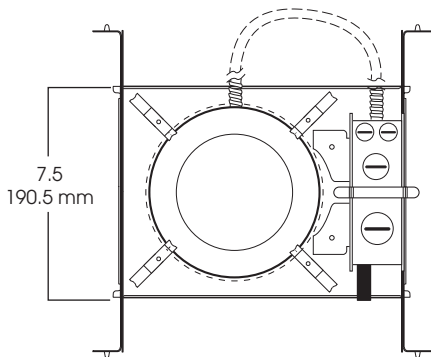
150 WATT MAX INCANDESCENT

- Estimator Series 6" downlight.
- Variety of trims.
- Remodler, 277 and insulated ceiling options.
- #20 gauge galvanized frame.
- 12" bar hangers expandable to 24", standard.
- Junction box pre-wired, grounded, thermally protected.
- Suitable for use in damp location.
- Manufactured and tested to UL Standard No. 1598

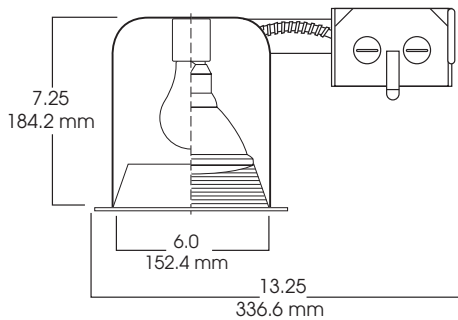
SIDE VIEW



TOP VIEW



RM

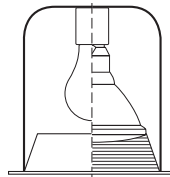


1. SPECIFY FRAME

FRAME	LAMP	OPTIONS
SP6000P - Spectrum Silver 6" Estimator Series	PAR30L PAR38 R30 R40	T277 -277v to 120v Step Down Transformer BH27 -27" Mounting Bars FS -Fuse holder and fuse IC -Insulation Contact 1-400 TBC -T-bar clips 1-475 RM -Remodler Housing PR -Plaster Ring AT -Air Tight
SP6000P		IC AT

2. SPECIFY TRIM

DECORATIVE TRIM OPTIONS



TRIM #	FINISH	OPTIONS
6110 - Trim with Specified Color	CL -Clear Alzak SG -Soft Glow GO -Gold Alzak	GS -Gasket *WL -Wet Location

- 6110 BB**- Black Baffle
- 6110 WB**- White Baffle
- 6110 DO**- Shower Drop Glass Lens
- 6110 DP**- Shower Drop Plastic Lens
- 6110 EB**- White/Black Eyeball (PAR30L)
- 6110 GR**- White/Black Gimbal Ring
- 6110 FL**- Shower Fresnel Glass Lens
- 6110 OT**- Open Trim Reflector
- 6110 WW**- Scoop Wall Wash

6110 CL

GS



3. FINISHED ORDER/SPECIFICATION

SP6000P / IC AT / FS / 6110 BB / GS

Dimensions shown are nominal. Spectrum Lighting is continually improving products and reserves the right to make changes that will not alter performance or appearance with or without written notice.



PROJECT:	TYPE:
CAT. NO.:	