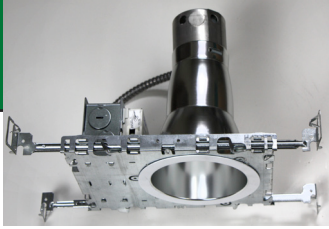


5" VERTICAL FLUORESCENT OPEN/WALL WASH/LENS

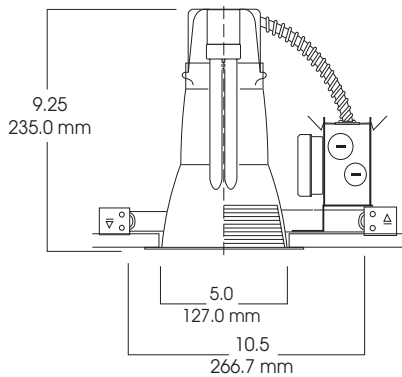
1 x 42 WATT MAX

5VF
SPECTRUM
SILVER SERIES™

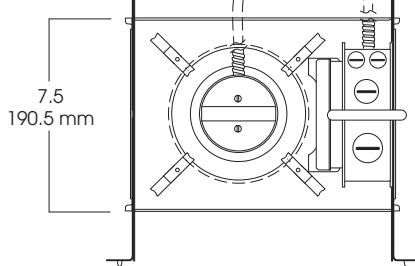


- 5" deep vertical lamp compact fluorescent.
- Available open, lensed, and wall wash.
- 20 gauge galvanized steel frame.
- 12" bar hangers expandable to 24" standard.
- .0625 spun aluminum reflector.
- Junction box pre-wired, grounded.
- Electronic ballast 120/277V standard.
- Ballast serviceable from the ceiling aperture.
- Suitable for use in damp location. Lensed fixture has Wet Location option.
- UL listed to standard no. 1598.

SIDE VIEW

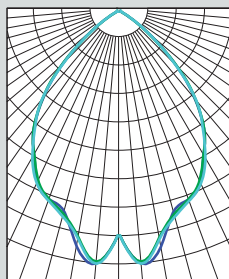


TOP VIEW



DISTANCE FROM CEILING		DIAMETER OF CIRCLE
5.5	20	9.0
7.5	11	13.0
9.5	7	16.0
11.5	5	19.0
13.5	3	23.0

CONE OF LIGHT



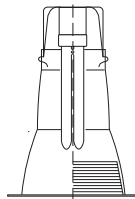
SPSV132/5310SG-
Efficiency: 41.1%
Spacing: 1.14

1. SPECIFY FRAME

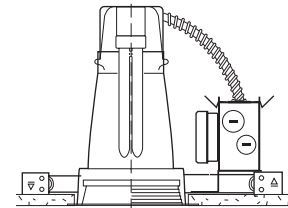
FRAME	WATTS	BALLAST	OPTIONS
SP5VF-	13	EX -Electronic 120/277	EM -Emergency battery pack (specify voltage)
Spectrum	18	(standard)	FS -Fuse holder and fuse
Silver 5"	26	DA1 -Advance Mark10™ dimming, 120v	PR -Plaster ring (pg 1-430)
Vertical	32	DA2 -Advance Mark 10™ powerline dimming, 277v	RM -Remodler housing
	42	DM7 -Advance MK7 Dimming 120/277	BH27 -27" mounting bar
		DL1 -Lutron Compact SE™ 120v (min. dimming level 5%) ¹	TBC -T-bar clip
		DL2 -Lutron Compact SE™ 277v (min. dimming level 5%) ¹	
SP5VF	142	EX	

2. SPECIFY TRIM

OPEN



LENSED



TRIM #	FINISH	OPTIONS	TRIM #	SPLAY FINISH	LENS/OPTIONS
5310	SG -Soft Glow	PF -Polished Flange	5320	WS -White Splay/Flange	GL -Glass Temp/Glass Lens
Open	CL -Clear Alzak	BF -Black Flange	Lens	(standard)	CA -Clear Acrylic Lens
	GO -Gold Alzak	HZ -Haze	SGS -Soft Glow Alzak Splay/White Flange	RB -Regressed Baffled Splay White	FG -Frosted Glass Lens
	UM -Umber Alzak	WE -Wheat Alzak	RW -Regressed Baffled Splay	BF -Black Flange	FL -Frensel Glass Lens
	PW -Pewter	BL -Black Finish			PG -Prismatic Glass Lens
	WH -White Finish	WB -White Micro Baffle			
	PF -Polished Flange	BF -Black Flange			
5310 SG			5320 WS		PG

3. FINISHED ORDER/SPECIFICATION

SP5VF132 EX/5320 WS PG

Dimensions shown are nominal. Spectrum Lighting is continually improving products and reserves the right to make changes that will not alter performance or appearance with or without written notice.



PROJECT:	TYPE:
CAT. NO.:	

994 Jefferson Street, Fall River, MA 02721 508.678.2303 FAX 508.678.2260

