



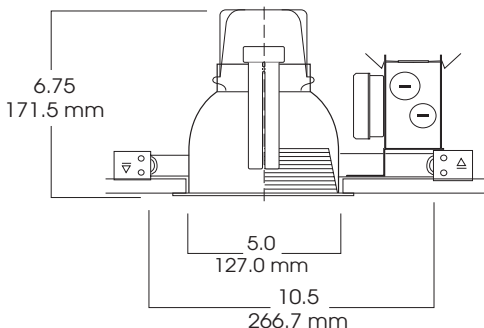
5" VERTICAL FLUORESCENT SHALLOW OPEN

1 x 26 WATT MAX

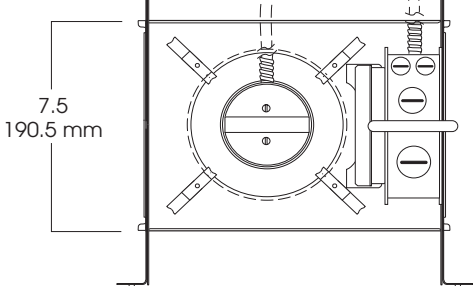


- 5" shallow vertical lamp compact fluorescent.
- Available open.
- 20 gauge galvanized steel frame.
- 12" bar hangers expandable to 24" standard.
- .0625 spun aluminum reflector.
- Junction box pre-wired, grounded.
- Electronic ballast 120/277V standard.
- Ballast serviceable from the ceiling aperture.
- Suitable for use in damp location. Lensed fixture has Wet Location option.
- UL listed to standard no.1598.

SIDE VIEW



TOP VIEW

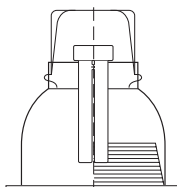


1. SPECIFY FRAME

FRAME	WATTS	BALLAST	OPTIONS
SP5VF-	9	EX -Electronic 120/277 (standard)	EM -Emergency battery pack (specify voltage)
Spectrum	13	DA1 -Advance Mark10™ dimming, 120v	FS -Fuse holder and fuse
Silver 5"	18	DA2 -Advance Mark 10™ powerline dimming, 277v	PR -Plaster ring (pg 1-430)
Vertical	26*	DM7 -Advance MK7 Dimming 120/277	RM -Remodler housing
		DL1 -Lutron Compact SE™ 120v (min. dimming level 5%) ¹	BH27 -27" mounting bar
		DL2 -Lutron Compact SE™ 277v (min. dimming level 5%) ¹	TBC -T-bar clip
		* Triple Tube Only	
SP5VF	126	EX	

2. SPECIFY TRIM

OPEN



TRIM #	FINISH	OPTIONS
5110	SG -Soft Glow	PF -Polished Flange
	CL -Clear Alzak	BF -Black Flange
	GO -Gold Alzak	BB -Black Micro Baffle
	HZ -Haze	WB -White Micro Baffle
	PW -Pewter	
	UM -Umber Alzak	
	WE -Wheat Alzak	
	BL -Black Finish	
	WH -White Finish	
	PF -Polished Flange	
	BF -Black Flange	
5110 SG		GS

3. FINISHED ORDER/SPECIFICATION

SP5VF126 EX/5110 SG

Dimensions shown are nominal. Spectrum Lighting is continually improving products and reserves the right to make changes that will not alter performance or appearance with or without written notice.



PROJECT:	TYPE:
CAT. NO.:	

