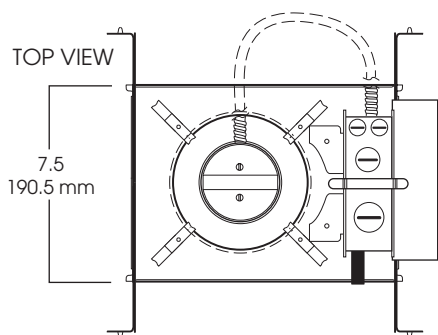
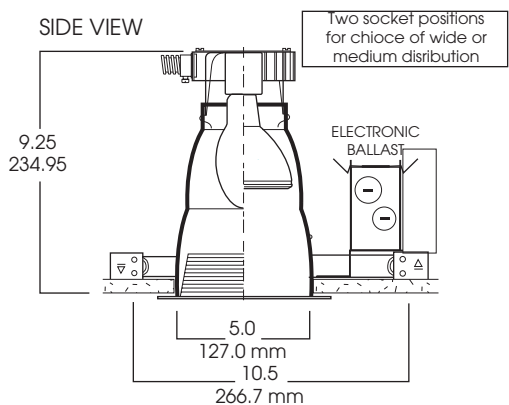


# 5" MH SERIES OPEN REFLECTOR/BAFFLE

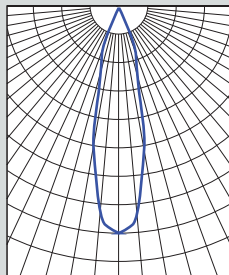
**5MH**  
**SPECTRUM**  
SILVER SERIES™

50 WATT MAX (PAR-20/30 OR ED17)

- 5" MH Series metal halide down-light.
- Available open, and wall wash.
- 20 gauge galvanized steel frame.
- 12" bar hangers expandable to 24" standard.
- .0625 spun aluminum reflector.
- Junction box pre-wired, grounded.
- Electronic ballast 120/277V standard.
- Ballast serviceable from the ceiling aperture.
- Suitable for use in damp location. Lensed fixture has Wet Location option.
- UL listed to standard no. 1598.



DISTANCE FROM CEILING		DIAMETER OF CIRCLE
5.5	320	2.0
7.5	172	3.0
9.5	107	4.0
11.5	73	5.0
13.5	53	6.0



CONE OF LIGHT

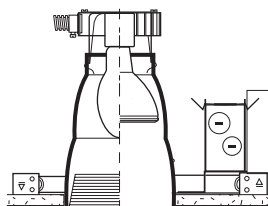
5MH39w-Efficiency: 96.6%  
Spacing:0.42

## 1. SPECIFY FRAME

FRAME	WATTS	BALLAST	LAMP	OPTIONS
<b>SP5MH-</b> Spectrum Silver 5" Metal Halide	20 39 50	<b>EX</b> -Electronic, multi-volt 120v thru 277v	<b>PAR20</b> <b>ED17</b> (50 Watt Only)	<b>FS</b> -Fuse holder and fuse <b>BH27-27"</b> Mounting Bars (2 per set) <b>PR</b> -Plaster Ring 1-430 <b>RM</b> -Remodeler Housing 1-450 <b>SCA</b> -Slope Ceiling Adaptor 1-435 <b>TBC</b> -T-bar clips 1-475 <b>QRS120</b> -Quartz Restrike- 120v <b>QRS277</b> -Quartz Restrike- 277v
<b>SP5MH</b>	<b>39</b>	<b>EX</b>	<b>ED17</b>	<b>FS/</b>

## 2. SPECIFY TRIM

OPEN



TRIM #	FINISH	OPTIONS
<b>5210</b> OPEN	<b>SG</b> -Soft Glow <b>CL</b> -Clear Alzak <b>GO</b> -Gold Alzak <b>HZ</b> -Haze	<b>PF</b> -Polished Flange <b>BF</b> -Black Flange
<b>5290</b> WALL WASH	<b>PW</b> -Pewter <b>UM</b> -Umber Alzak <b>WE</b> -Wheat Alzak <b>BL</b> -Black Finish <b>WH</b> -White Finish <b>PF</b> -Polished Flange	<b>BB</b> -Black Micro Baffle <b>WB</b> -White Micro Baffle

-\*Specify Flange Finish

**5210 SG**      **PF**

## 3. FINISHED ORDER:

**5MH39EX/5210SG**

Dimensions shown are nominal. Spectrum Lighting is continually improving products and reserves the right to make changes that will not alter performance or appearance with or without written notice.



PROJECT:

TYPE:

CAT. NO.:

