



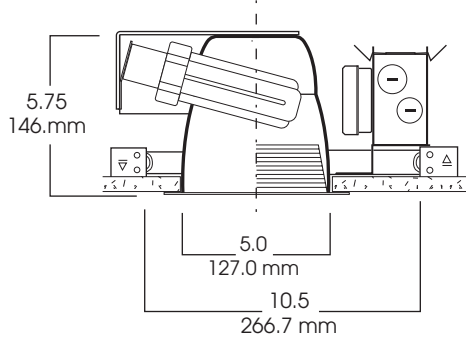
# 5'' HORIZONTAL FLUORESCENT OPEN/LENS/WALL WASH

1 x 26 WATT MAX

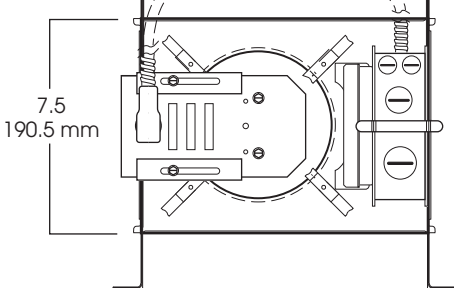
**5HF**  
SPECTRUM  
SILVER SERIES™

- 5" horizontal lamp compact fluorescent.
- Available open, lensed, and wall wash.
- 20 gauge galvanized steel frame.
- 12" bar hangers expandable to 24" standard.
- .0625 spun aluminum reflector.
- Junction box pre-wired, grounded.
- Electronic ballast 120/277V standard.
- Ballast serviceable from the ceiling aperture.
- Suitable for use in damp location. Lensed fixture has Wet Location option.
- UL listed to standard no.1598.

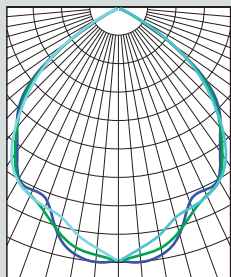
SIDE VIEW



TOP VIEW



CONE OF LIGHT



SP5HF1265610SG-Efficiency: 50.6% Spacing: 1.17

## 1. SPECIFY FRAME

FRAME	WATTS	BALLAST	OPTIONS
<b>SP5HF</b> Spectrum Silver 5" Horizontal	<b>13*TT</b> <b>18*</b> <b>26*TT</b>	<b>EX</b> -Electronic 120/277 (standard) <b>DA1</b> -Advance Mark10™ dimming, 120v <b>DA2</b> -Advance Mark 10™ powerline dimming, 277v <b>DM7</b> -Advance MK7 Dimming 120/277 <b>DL1</b> -Lutron Compact SE™ 120v (min. dimming level 5%) <sup>1</sup> <b>DL2</b> -Lutron Compact SE™ 277v (min. dimming level 5%) <sup>1</sup>	<b>EM</b> -Emergency battery pack (specify voltage) <b>FS</b> -Fuse holder and fuse <b>PR</b> -Plaster ring (pg 1-430) <b>RM</b> -Remodler housing <b>BH27</b> -27" mounting bar <b>TBC</b> -T-bar clip
	* Triple Tube Only		
<b>SP5HF</b>	<b>126</b>	<b>EX</b>	<b>EM(277)/</b>

## 2. SPECIFY TRIM

OPEN/WALL WASH			LENSED		
TRIM #	FINISH	OPTIONS	TRIM #	SPLAY FINISH	LENS/OPTIONS
<b>5610</b> Open	<b>SG</b> -Soft Glow <b>CL</b> -Clear Alzak <b>GO</b> -Gold Alzak	<b>PF</b> -Polished Flange <b>BF</b> -Black Flange	<b>5620</b> Lensed Trim	<b>WS</b> -White / White flange (standard)	<b>PG</b> -Prismatic Glass lens (standard)
<b>5905</b> Wall Wash	<b>HZ</b> -Haze <b>PW</b> -Pewter <b>UM</b> -Umber Alzak <b>WE</b> -Wheat Alzak <b>BL</b> -Black Finish <b>WH</b> -White Finish	<b>BB</b> -Black Micro Baffle <b>WB</b> -White Micro Baffle <b>GS</b> -Gasket		<b>SGS</b> -Soft Glow/ White flange <b>RB</b> -Regressed Black baffle White flange <b>RW</b> -Regressed White baffle White flange <b>PF</b> -Polished Flange <b>BF</b> -Black Flange	<b>FG</b> -Frosted Glass <b>GL</b> -Clear Glass lens <b>GS</b> -Gasket <b>WL</b> -Wet Location 1-470 <b>XB</b> -Cross Blade Louver
<b>5610 SG</b>		<b>GS</b>	<b>5620 WS</b>		<b>PG</b>

## 3. FINISHED ORDER:

**SP5HF118EX/5620 WS PG**

Dimensions shown are nominal. Spectrum Lighting is continually improving products and reserves the right to make changes that will not alter performance or appearance with or without written notice.



PROJECT:

TYPE:

CAT. NO.:

