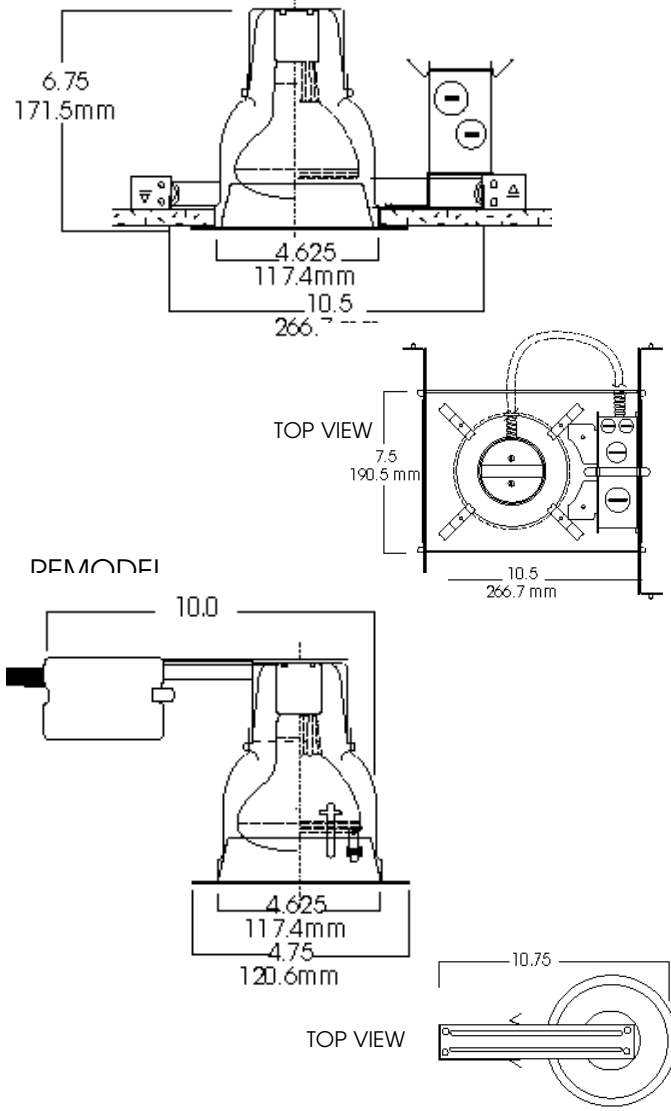




"ESTIMATOR" R SERIES
5" R30/PAR30L/A19
100 WATT MAX INCANDESCENT

R30
 SERIES

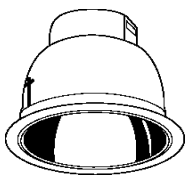
NEW CONSTRUCTION



FIXTURE SPECIFICATIONS

FIXTURE	AVAILABLE LAMP
SP5000A	PAR20
	PAR30L
	A19
	A21

TRIM SPECIFICATIONS



FINISHED TO SPECIFICATION. REFLECTORS AND BAFFLES HEAVY GAUGE ALUMINUM, FLANGE PAINTED MATTE WHITE.

- TRIM NO: **RA30**
- FINISH:
- TRIM OPTIONS
- SG**- Soft Glow Diffuse Alzak
 - CL**- Clear Alzak
 - WE**- Wheat Alzak
 - GO**-Gold Alzak
 - UM**- Umber Alzak
 - PW**- Pewter Alzak
 - BL**- Black Finish
 - WH**- White Finish
- PF**- Polished Flange
 - BF**- Black Flange
 - BB**- Black Micro Baffle
 - WB**- White Micro Baffle

TYPICAL ORDER

NEW CONSTRUCTION ORDER EXAMPLE
 Line item 1 (FRAME): **SP5000A**
 Line Item 2 (TRIM): **RA30SGL**

REMODEL ORDER EXAMPLE:
 Line item 1 (FRAME): **SP30RM**
 Line Item 2 (TRIM): **RA30SG**

PRODUCT INFORMATION

- "Estimator" Series is a quality housing with a variety of trim options. Easy to install.
- #20 GA steel pan.
- Aluminum housing dissipates heat.
- 12" bar hangers expandable to 24" standard
- Junction box pre-wired, grounded, thermally protected.
- 3" from insulation required.
- Suitable for use in damp location.
- Manufactured and assembled in U.S.A.
- Manufactured and tested to UL standard No. 1598/ETL Listed.

FRAME OPTIONS

- T277** - 277Volt to 120 Volt (Step Down Transformer).
- BH27**- 27" Mounting bars (2 per set)
- RM**- Remodeler (cut away)
- PR** - Plaster Ring (see available depths).

TRIM OPTIONS

- GS** - Gasket (For Reflector).
 - FS**- Fusing
- LENSING AVAILABLE**

SUBMITTAL WORKSHEET

FIXTURE NO.
FRAME-IN-KIT NO.
FIXTURE TYPE