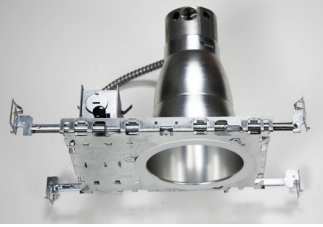


5" INCANDESCENT SERIES OPEN/ WALL WASH/ LENS 10 WATT MAX

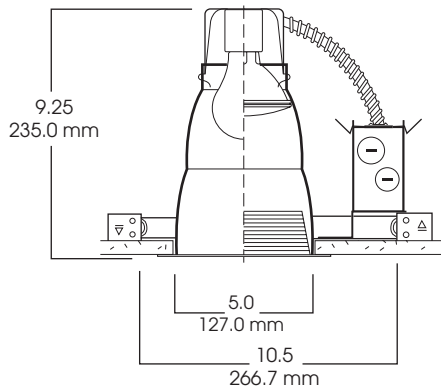
5000A SPECTRUM SILVER SERIES™



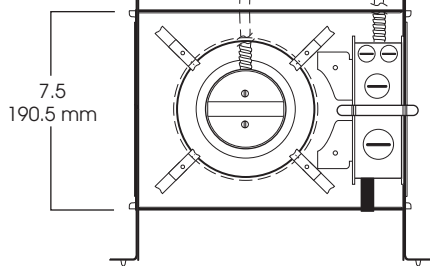
FEATURES & SPECIFICATIONS:

- 5" Deep incandescent series.
- Available open, wall wash, and lens.
- 20 gauge galvanized frame.
- 12" bar hangers expandable to 24" standard. BH27 - 27" bars available.
- Junction box pre-wired, grounded.
- Suitable for use in damp location. Lensed fixture has Wet Location option
- Manufactured and tested to UL No.1598.

SIDE VIEW

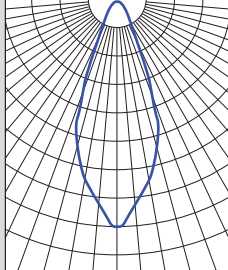


TOP VIEW



| DISTANCE FROM CEILING | 5.5 | 7.5 | 9.5 | 11.5 | 13.5 |
|-----------------------|-----|-----|-----|------|------|
| | 58 | 31 | 19 | 13 | 10 |

DIAMETER OF CIRCLE



CONE OF LIGHT

SP5000A/5210SG-Efficiency:
79.6%
Spacing: 0.64

Dimensions shown are nominal. Spectrum Lighting is continually improving products and reserves the right to make changes that will not alter performance or appearance with or without written notice.



1. SPECIFY FRAME

| FRAME | LAMPS | OPTIONS |
|---|---|---|
| SP5000A Spectrum Silver 5" | A19 PAR20 PAR30L | T277 -277V TO 120V Step-Down transformer BH27 -27" Mounting Bars (2 per set) FS -Fuse holder and fuse PR -Plaster Ring 1-430 RM -Remodeler Housing (Split Frame) SCA -Slope Ceiling Adaptor 1-435 TBC -T-bar clips 1-475 |
| SP5000A | | FS |

2. SPECIFY TRIM

| OPEN | | | LENSED | | |
|-----------------------------|---|--|-------------------------------|---|--|
| TRIM # | FINISH | OPTIONS | TRIM # | FINISH | OPTIONS |
| 5210 Open Trim | SG -Soft Glow CL -Clear Alzak GO -Gold Alzak HZ -Haze PW -Pewter UM -Umber Alzak WE -Wheat Alzak BL -Black Finish WH -White Finish PF -Polished Flange | GS -Gasket BB -Black Micro Baffle WB -White Micro Baffle CW -Corner Wall Wash DW -Double Wall Wash GS -Gasket | 5220 Lensed Trim | WS -White Splay/Flange (standard) SGS -Soft Glow Alzak Splay/White flange RW -Regressed White Baffled Splay/White Flange RB -Regressed Baffled Splay Black w/ White Flange | GL -Clear Temp Glass Lens Location FG -Frosted Glass Lens FL -Fresnel Glass Lens PG -Prismatic Glass lens |
| 5210 SG | | GS | 5220 SGS | | PG |

3. FINISHED ORDER/SPECIFICATION

SP5000A/5210 SG

PROJECT:

TYPE:

CAT. NO.:

