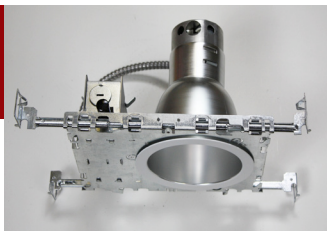


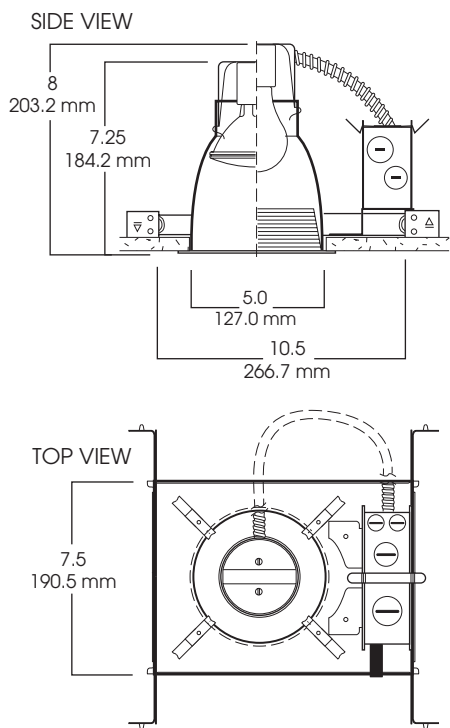
5" INCANDESCENT SERIES MEDIUM OPEN REFLECTOR/BAFFLE 100 WATT MAX

5000A SPECTRUM SILVER SERIES™



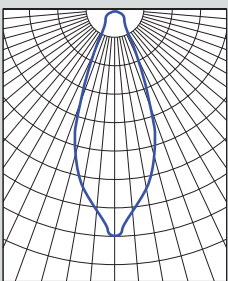
FEATURES & SPECIFICATIONS:

- 5" Medium Depth incandescent series.
- Available open.
- 20 gauge galvanized frame.
- 12" bar hangers expandable to 24" standard. BH27 - 27" bars available.
- Junction box pre-wired, grounded.
- Suitable for use in damp location.
- Manufactured and tested to UL No.1598.



DISTANCE FROM CEILING		DIAMETER OF CIRCLE
5.5	58	4.0
7.5	31	5.0
9.5	19	6.0
11.5	13	7.0
13.5	10	9.0

CONE OF LIGHT



SP5000A/515056
Efficiency: 769.% Spa: 0.62

Dimensions shown are nominal. Spectrum Lighting is continually improving products and reserves the right to make changes that will not alter performance or appearance with or without written notice.



1. SPECIFY FRAME

FRAME	LAMPS	OPTIONS
SP5000A Spectrum Silver 5"	A19 A21 PAR20 PAR30L	T277 -277V TO 120V Step-Down transformer BH27 -27" Mounting Bars (2 per set) FS -Fuse holder and fuse PR -Plaster Ring 1-430 RM -Remodeler Housing (Split Frame) SCA -Slope Ceiling Adaptor 1-435 TBC -T-bar clips 1-475
<u>SP5000A</u>		<u>FS</u>

2. SPECIFY TRIM

OPEN

TRIM #	FINISH	OPTIONS
5150 Open Trim	SG -Soft Glow CL -Clear Alzak GO -Gold Alzak HZ -Haze PW -Pewter UM -Umber Alzak WE -Wheat Alzak BL -Black Finish WH -White Finish PF -Polished Flange	GS -Gasket BB -Black Micro Baffle WB -White Micro Baffle CW -Corner Wall Wash DW -Double Wall Wash
<u>5150 SG</u>		<u>GS</u>

3. FINISHED ORDER/SPECIFICATION

SP5000A/5150 SG

PROJECT:	TYPE:
CAT. NO.:	

