



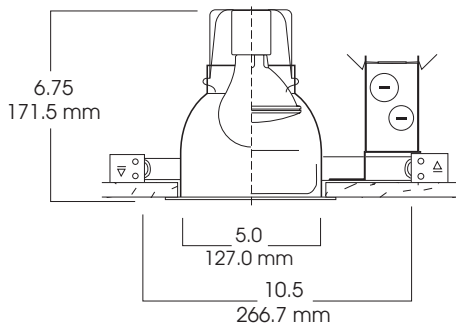
# 5" INCANDESCENT SERIES SHALLOW OPEN / WALL WASH/ LENS 100 WATT MAX

**5000A**  
**SPECTRUM**  
SILVER SERIES™

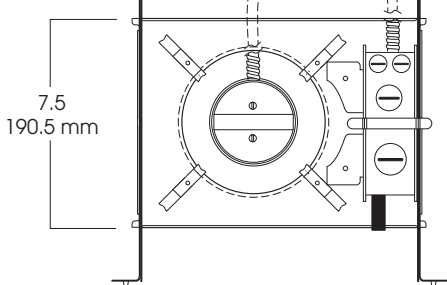
## FEATURES & SPECIFICATIONS:

- 5" Shallow incandescent series.
- Available open, wall wash and lens.
- 20 gauge galvanized frame.
- 12" bar hangers expandable to 24" standard. BH27 - 27" bars available.
- Junction box pre-wired, grounded.
- Suitable for use in damp location. Lensed fixture has Wet Location option
- Manufactured and tested to UL No.1598.

SIDE VIEW

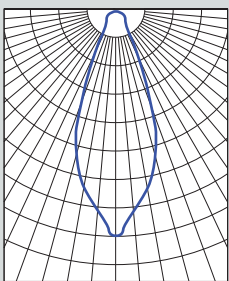


TOP VIEW



DISTANCE FROM CEILING		DIAMETER OF CIRCLE
5.5	58	4.0
7.5	31	5.0
9.5	19	6.0
11.5	13	7.0
13.5	10	9.0

CONE OF LIGHT



SP5000A/5110-  
Efficiency: 79.6% Spa: 0.64

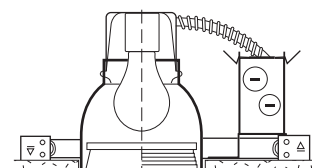
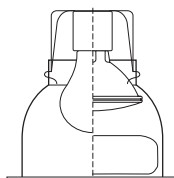
Dimensions shown are nominal. Spectrum Lighting is continually improving products and reserves the right to make changes that will not alter performance or appearance with or without written notice.

## 1. SPECIFY FRAME

FRAME	LAMPS	OPTIONS
<b>SP5000A</b> Spectrum Silver 5" Shallow	<b>A19</b> <b>PAR20</b> <b>R20</b>	<b>T277</b> -277V TO 120V Step-Down transformer <b>BH27</b> -27" Mounting Bars (2 per set) <b>FS</b> -Fuse holder and fuse <b>PR</b> -Plaster Ring 1-430 <b>RM</b> -Remodeler Housing (Split Frame) <b>SCA</b> -Slope Ceiling Adaptor 1-435 <b>TBC</b> -T-bar clips 1-475
<b>SPW5000A-</b> Spectrum Silver 4" Shallow Wall Wash		

## 2. SPECIFY TRIM

OPEN	LENSED
------	--------



TRIM #	FINISH	OPTIONS	TRIM #	FINISH	OPTIONS
<b>5110</b> Open Trim	<b>SG</b> -Soft Glow <b>CL</b> -Clear Alzak <b>GO</b> -Gold Alzak <b>HZ</b> -Haze <b>PW</b> -Pewter	<b>GS</b> -Gasket <b>BB</b> -Black Micro Baffle <b>WB</b> -White Micro Baffle	<b>5120</b> Lensed	<b>WS</b> -White Splay/Flange (standard) <b>SGS</b> -Soft Glow Alzak Splay/White flange <b>RW</b> -Regressed White Baffled Splay/White Flange <b>RB</b> -Regressed Baffled Splay Black w/ White Flange	<b>GL</b> -Clear Temp Acrylic Lens <b>CA</b> -Clear Glass Lens <b>FG</b> -Frosted Glass Lens <b>FL</b> -Fresnel Glass Lens <b>PG</b> -Prismatic Glass lens
<b>5190</b> Wall Wash	<b>UM</b> -Umber Alzak <b>WE</b> -Wheat Alzak <b>BL</b> -Black Finish <b>WH</b> -White Finish <b>PF</b> -Polished Flange	<b>CW</b> -Corner Wall Wash <b>DW</b> -Double Wall Wash			

**5110 SG**

**GS**

**5120 SGS**

**GL**

## 3. FINISHED ORDER/SPECIFICATION

**SP5000A/5120 WS PG**

PROJECT:

TYPE:

CAT. NO.:



994 Jefferson Street, Fall River, MA 02721 508.678.2303 FAX 508.678.2260

