

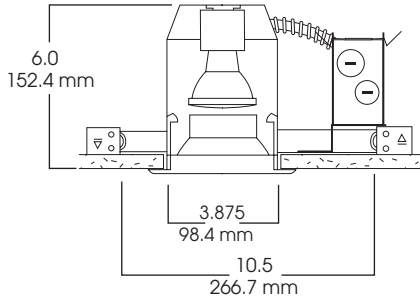


4" ESTIMATOR SERIES PAR20 DOWNLIGHT 50 WATT MAX INCANDESCENT

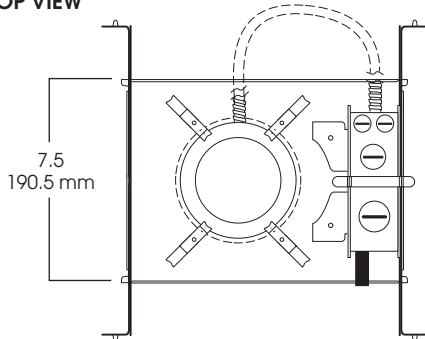
4000P
SPECTRUM
SILVER SERIES™

- 4" PAR20 incandescent downlight with a variety of trim options.
- Trims spun from heavy gauge aluminum with white flange.
- #20 gauge galvanized frame.
- Junction box pre-wired, grounded, thermally protected.
- 3" from insulation required.
- Manufactured and tested to UL Standard No. 1598
- ETL Listed.

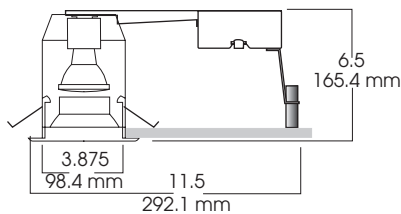
SIDE VIEW



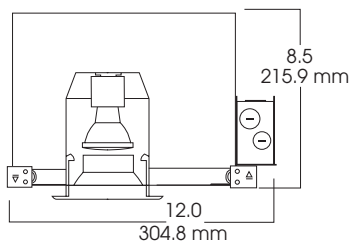
TOP VIEW



RM



IC



Dimensions shown are nominal. Spectrum Lighting is continually improving products and reserves the right to make changes that will not alter performance or appearance with or without written notice.

1. SPECIFY FRAME

FRAME

SP4000P-
Spectrum
Silver 4"
Estimator
Series

SP4000P

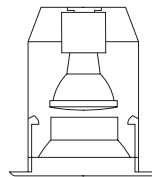
OPTIONS

T277 -277v to 120v Step
Down Transformer
BH12 -Expandable Bar
Hangers, 12" - 24"
BH27 -27" Mounting Bars
FS -Fuse holder and fuse
IC -Insulation Contact 1-400
TBC -T-bar clips 1-475
RM -Remodler Housing

T277

2. SPECIFY TRIM

DECORATIVE TRIM OPTIONS



TRIM #	FINISH	OPTIONS
4210- Open Trim	CL -Clear Alzak SG -Soft Glow GO -Gold Alzak	GS -Gasket *WL -Wet Location
4210 BB- Black Baffle		
4210 WB- White Baffle		
4210 EB- White/Black Eyeball		
4210 PH- White Die Cast Pin Hole		
4210 SL- White Slot Aperture		
4210 FG- Frosted Diffuse Glass (WL)		
4210 WW- White Wall Wash		
4210 GL FG- Frosted Glass Ring		
4210 BU FG- Frosted Cobalt Ring		
4210 ST FG- Stepped Frosted Ring		
4210 ST BU- Stepped Cobalt Ring		
4210 SA (WH/BL)- Surface Adjustable		
4210 DO-Drop Opal Glass Lens (WL)		

4210 CL

GS



4210 CL



4210 EB



4210 BB



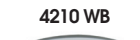
4210 SA



4210 WB



4210 PD



*4210 FG



4210 GL FG



4210 PH



4210 BU FG



4210 SL



4210 ST FG



*4210 DO



4210 ST BU



4210 WW

3. FINISHED ORDER/SPECIFICATION

SP4000P / 4210 CL / GS

PROJECT:	TYPE:
CAT. NO.:	