

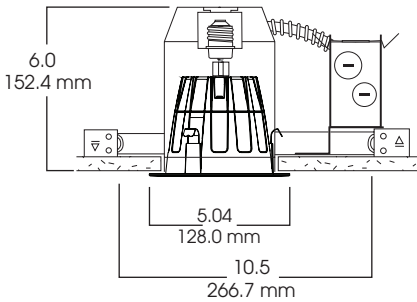
4" ESTIMATOR SERIES LED DOWNLIGHT NEW CONSTRUCTION

4000P
SPECTRUM
SILVER SERIES™

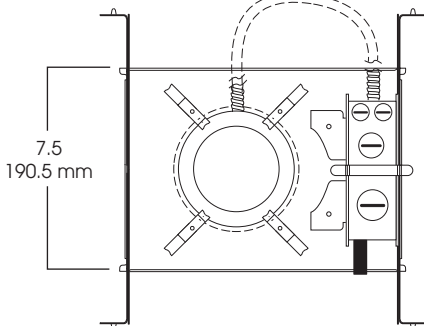


- SP Series LED New Construction and Retrofit.
- Insulated Ceiling (ICAT) and Non-insulated ceiling available.
- LED module has medium base adaptor.
- Module finished in matte white.
- LED module can be ordered separately.
- CRI of 82
- Energy Star Qualified.
- 120v Standard. T277V option.
- Manufactured and Tested to UL Standard No. 8750.

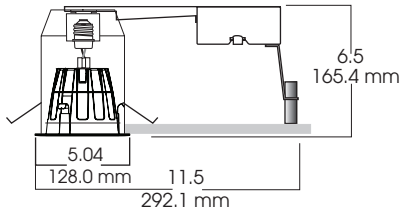
SIDE VIEW



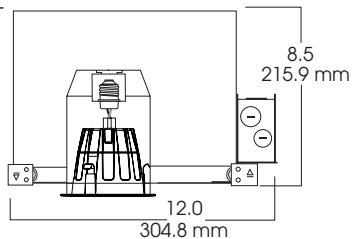
TOP VIEW



RM



ICAT



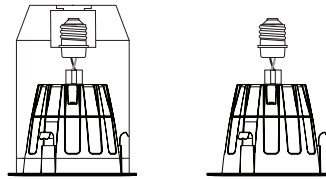
Dimensions shown are nominal. Spectrum Lighting is continually improving products and reserves the right to make changes that will not alter performance or appearance with or without written notice.

1. SPECIFY FRAME

FRAME	OPTIONS	MODULE	LUMENS	KELVIN
SP4000P- Spectrum Silver 4" Estimator Series	T277 -277v to 120v Step Down Transformer BH27 -27" Mounting Bars FS -Fuse holder and fuse TBC -T-bar clips 1-475 IC ICAT -Air Tight IC Housing RM -Remodler Housing GU24 -GU24 Base	RP4 (LED) Downlight AP4 (LED) Adjustable (Not IC Rated)	550 LU (9 WATTS)	27K -2700° K 30K -3000° K
SP4000P	ICAT	RP4LED	550LU	30K

2. SPECIFY TRIM

TRIM OPTIONS



Traditional Lamps	Lumens	Life	Watts Saved*	Energy Savings*	Life Benefit*
Incandescent 50w R20	410	2000	41	\$152 ¹	17x
Halogen 50w PAR20/WFL	550	2500	41	\$152 ¹	14x
Compact Fluorescent 14w R20	495	8000	5	\$14 ¹	4x

* with **RP4 LED SO**
550 Lumens
35,000 Life

¹ Based on \$0.11/Kwh,
over 35,000 hrs. life

3. FINISHED ORDER/SPECIFICATION

SP4000P ICAT / RP4LED 550LU 30K



PROJECT:	TYPE:
CAT. NO.:	