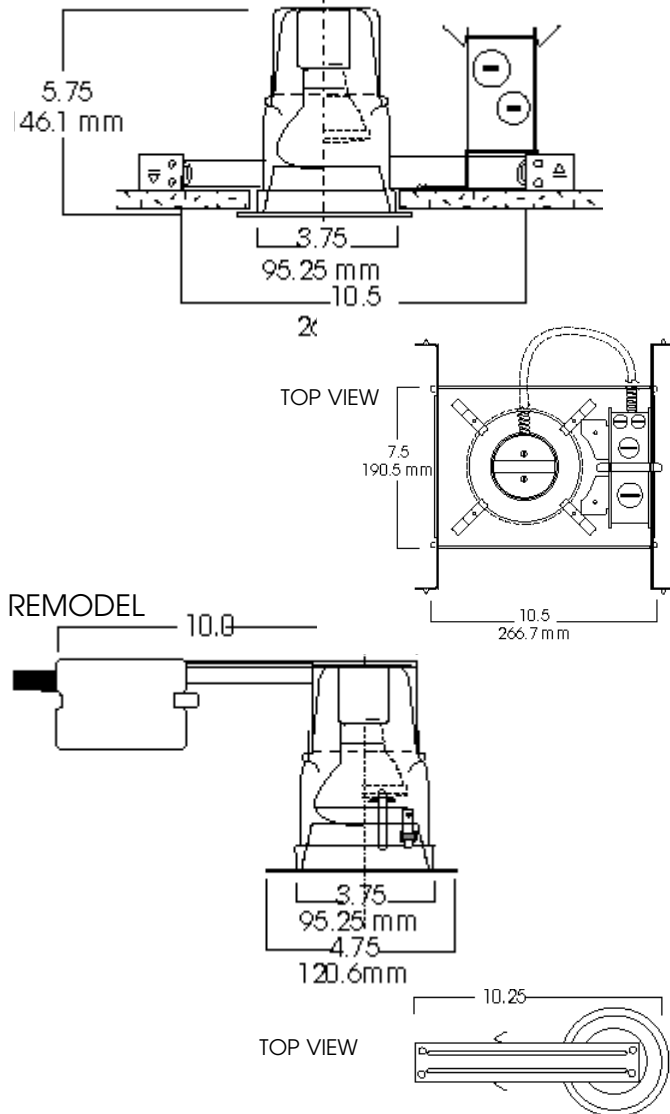




"ESTIMATOR" R SERIES
4" R20/PAR20
75 WATT MAX INCANDESCENT

R20
 SERIES

NEW CONSTRUCTION

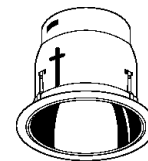


FIXTURE SPECIFICATIONS

FIXTURE	AVAILABLE LAMP
SP4000A	PAR20
	A19
	R20

120 Volt-Standard
 see below to order **T277** for step down transformer

TRIM SPECIFICATIONS



FINISHED TO SPECIFICATION. REFLECTORS AND BAFFLES HEAVY GAUGE ALUMINUM, FLANGE PAINTED MATTE WHITE.

TRIM NO: RA20	FINISH:	TRIM OPTIONS
	SG - Soft Glow Diffuse Alzak CL - Clear Alzak WE - Wheat Alzak GO -Gold Alzak UM - Umber Alzak PW - Pewter Alzak BL - Black Finish WH - White Finish	PF - Polished Flange BF - Black Flange BB - Black Micro Baffle WB - White Micro Baffle

TYPICAL ORDER

NEW CONSTRUCTION ORDER EXAMPLE
 Line item 1 (FRAME): **SP4000A/PAR20**
 Line Item 2 (TRIM): **RA20 SG**

REMODEL ORDER EXAMPLE:
 Line item 1 (FRAME): **SP20RM/PAR20**
 Line Item 2 (TRIM): **RA20 SG**

PRODUCT INFORMATIC...

- "Estimator" Series is a quality reflector system, easy to install.
- Socket cup with medium base socket
- 12" Bar hangers expandable to 24" standard on new construction model (A4000)
- Remodel reflector has socket cup attached to junction box as single assembly.
- Junction box pre-wired, grounded, thermally protected.
- 3" from insulation required.
- Suitable for use in damp location.
- Manufactured and assembled in U.S.A.
- Manufactured and tested to UL standard No. 1598/ETL Listed.

FRAME OPTIONS

- T277** - 277Volt to 120 Volt (Step Down Transformer).
- WL**- Wet Location
- BH27**- 27" Mounting bars (2 per set)
- PR** - Plaster Ring (see available depths).

TRIM OPTIONS

- GS** - Gasket (For Reflector).
- FS**- Fusing

SUBMITAL WORKSHEET

FIXTURE NO.

FRAME-IN-KIT NO.

FIXTURE TYPE

