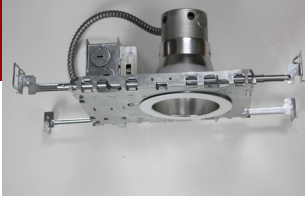


# 4" INCANDESCENT SERIES SHALLOW-OPEN 60 WATT MAX

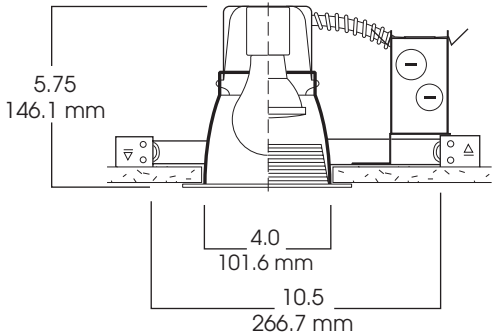
**4000A**  
**SPECTRUM**  
SILVER SERIES™



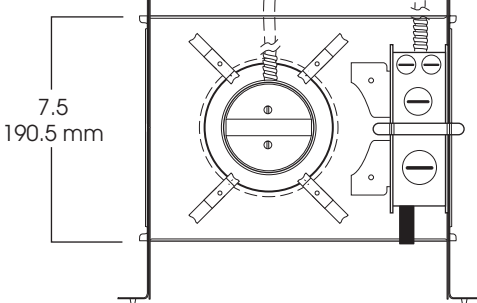
## FEATURES & SPECIFICATIONS:

- 4" Shallow incandescent series.
- Available open.
- 20 gauge galvanized frame.
- 12" bar hangers expandable to 24" standard. BH27 - 27" bars available.
- Junction box pre-wired, grounded.
- Suitable for use in damp location.
- Manufactured and tested to UL No.1598.

### SIDE VIEW

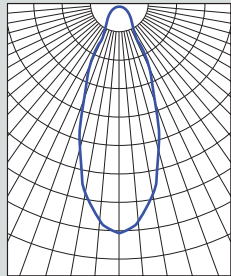


### TOP VIEW



DISTANCE FROM CEILING		DIAMETER OF CIRCLE
5.5	27	4.0
7.5	15	5.0
9.5	9	6.0
11.5	6	7.0
13.5	5	9.0

### CONE OF LIGHT



SP4000A60W/4110 SG  
Efficiency: 90.5% Spa: 0.64

Dimensions shown are nominal. Spectrum Lighting is continually improving products and reserves the right to make changes that will not alter performance or appearance with or without written notice.



## 1. SPECIFY FRAME

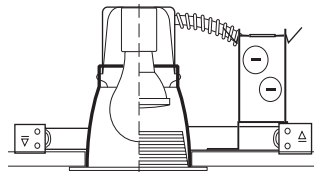
FRAME	LAMPS	OPTIONS
<b>SP4000A</b> Spectrum Silver 4" Shallow	<b>A19</b> <b>PAR20</b> <b>R20</b>	<b>T277-277V TO 120V Step-Down transformer</b> <b>BH27-27" Mounting Bars</b> (2 per set) <b>FS-Fuse holder and fuse</b> <b>PR-Plaster Ring 1-430</b> <b>RM-Remodeler Housing</b> (Split Frame) <b>TBC-T-bar clips 1-475</b>

**SP4000A**

**FS**

## 2. SPECIFY TRIM

**OPEN**



TRIM #	FINISH	OPTIONS
<b>4110</b> Open Trim	<b>SG-Soft Glow</b> <b>CL-Clear Alzak</b> <b>GO-Gold Alzak</b> <b>HZ-Haze</b> <b>PW-Pewter</b> <b>UM-Umber Alzak</b> <b>WE-Wheat Alzak</b> <b>BL-Black Finish</b> <b>WH-White Finish</b> <b>PF-Polished Flange</b>	<b>GS-Gasket</b> <b>BB-Black</b> Micro Baffle <b>WB-White</b> Micro Baffle

**4110 SG**

**GS**

## 3. FINISHED ORDER/SPECIFICATION

**SP4000A/4110 SG**

<b>PROJECT:</b>	<b>TYPE:</b>
<b>CAT. NO.:</b>	

