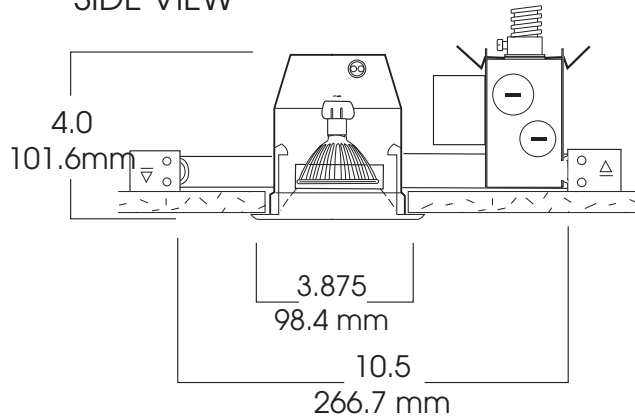




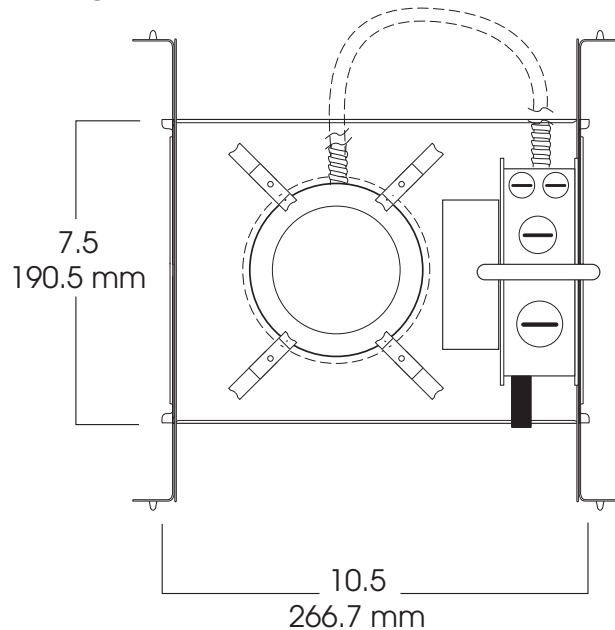
**LOW VOLTAGE SERIES
3" DOWNLIGHT
50 WATT MAX (MR-16)**

3100LV
SERIES

SIDE VIEW



TOP VIEW



FIXTURE SPECIFICATIONS

FIXTURE	LAMP	VOLTAGE
SP3100LV	MR16	MGN1 - 120 (standard) MGN2 - 277V

TRIM OPTIONS - MAY INCLUDE LENS

- | | | |
|--|--|--|
| | 3510CL - Specular Clear Alzak | |
| | 3510GO - Specular Gold Alzak | |
| | 3510BB - Black Baffle | |
| | 3510WB - White Baffle | |
| | 3510EB - White/Black Eyeball | 3510GLFG - Frosted Glass Ring |
| | 3510RA - Round Abolite | 3510BUFG - Frosted Cobalt Blue Glass Ring |
| | 3510FG - Frosted Diffuse Glass (Wet Location) | |
| | 3510PH - Die Cast Pin Hole/White | |
| | 3510SL - Slot Aperture /White | 3510STBU - Stepped Frosted Cobalt Blue Glass Ring |
| | 3510SA - Surface (30° Adjustable/White) | |
| | 3510WW - Wall Wash /White | |
| | 3510PDRD - Pull Down Adjustable (Round) White | |

NOTE: SOME TRIMS MAY BE AVAILABLE IN OTHER FINISHES-CONSULT FACTORY

TYPICAL ORDER

Line item 1 (FRAME): **SP3100LVE1**
Line Item 2 (TRIM): **3510 CL**

PRODUCT INFORMATION

- Basic low voltage can with 50 watt max electronic transformer.
- Variety of trims available.
- Junction box pre-wired, grounded, thermally protected.
- Rotation allows for complete 359 degree Turn.
- 3" from insulation required.
- Suitable for use in damp location.
- Manufactured and tested to UL standard No. 1598/ETL Listed.

FRAME OPTIONS

- E1** - Electronic Transformer 120v
- E2** - Electronic Transformer 277v
- BH27**- 27" Mounting bars (2 per set)
- PR** - Plaster Ring (see available depths).
- RM**- Remodel
- IC**- Insulated Ceiling

TRIM OPTIONS

- GS** - Gasket (For Reflector).
- FS**- Fusing

SUBMITTAL WORKSHEET

FIXTURE NO.

JOB NAME:.

FIXTURE TYPE:

