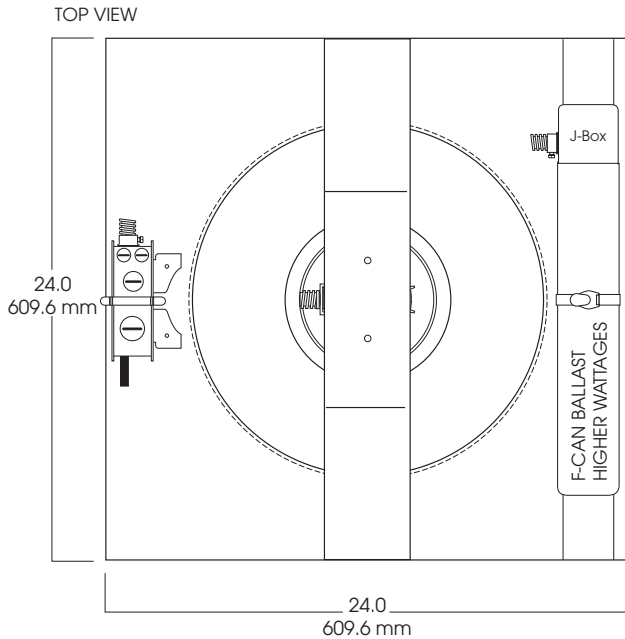
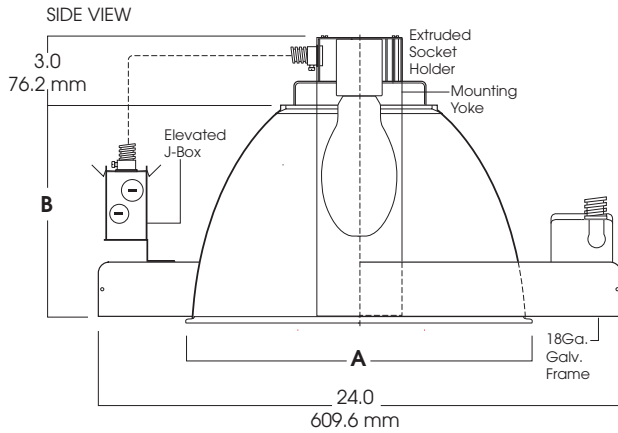




**2' x 2' FLAT PAN
ALUMINUM REFLECTOR
400 WATT MAX MH**

22MH
SERIES



FIXTURE SPECIFICATIONS

FIXTURE	LAMP TYPE	WATTS	BALLAST
SP2X2AR1611MH	ED17/ED28	50W-250W	EX - 120/277
SP2X2AR2214MH	ED17/ED28	50W-400W	H1 - 120 H2 - 277

*Electronic Ballast (120/277)
Standard up to 100 Watts

LENS OPTIONS

- WHITE DOOR STANDARD
- PG** - Flat Prismatic Glass
- GL** - Flat Tempered Glass
- FO** - Flat Opal Glass
- PC** - Flat Clear Polycarbonate
- CL** - Conical Lens
- DL** - Drop Lens
- FWG** - Flat-Wire Guard(Consult Factory)

TYPICAL ORDER

Line Item 1 (FRAME): **SP2X2AR2214MH320PSH1**
Line Item 2 (TRIM): **DOOR22/PG**

PRODUCT INFORMATION:

- 2' x 2' flat pan fits ceiling and grid creates its own frame.
- AR-MH series offers an economical lighting package.
- Reflector heavy gauge spun aluminum.
- Junction box pre-wired, grounded.
- Extruded aluminum socket housing dissipates heat.
- Ballasts are thermally protected.
- Ballast serviceable from the ceiling aperture.
- Suitable for use in damp location.
- Manufactured and tested to UL standard No.

FRAME OPTIONS

- FS** - Fusing
- QRS** - Quartz re-strike
- BH27** - 27" Mounting Bars (2 Per Set).
- PS** - Pulse Start

TRIM OPTIONS

- GS** - Gasket (For Reflector).
- WL** - Wet Location

SUBMITTAL WORKSHEET

FIXTURE NO.

FRAME-IN-KIT NO.

FIXTURE TYPE

3-605

