

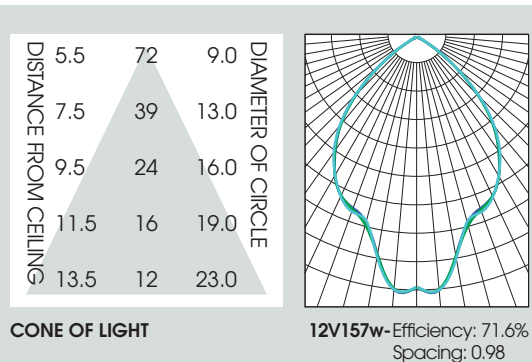
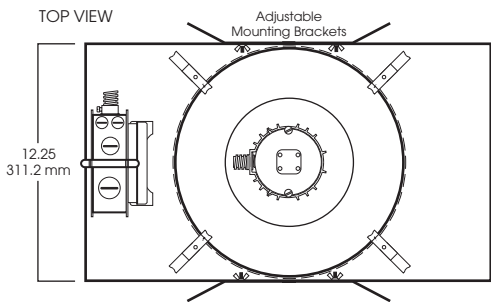
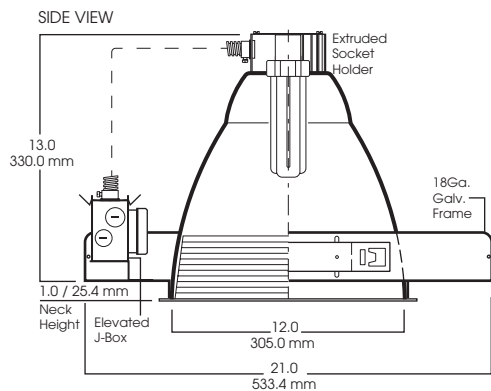
12" VERTICAL FLUORESCENT OPEN REFLECTOR/BAFFLE

1 x 70 WATT MAX

12VF
SPECTRUM
SILVER SERIES™



- 12" vertical lamp compact fluorescent.
- Available open and lensed.
- 20 gauge galvanized steel frame.
- 12" bar hangers expandable to 24" standard.
- .0625 spun aluminum reflector.
- Junction box pre-wired, grounded.
- Electronic ballast 120/277v standard.
- Ballast serviceable from the ceiling aperture.
- Suitable for use in damp location. Lensed fixture has Wet Location option
- UL listed to standard no. 1598



1. SPECIFY FRAME

| FRAME | WATTS | BALLAST | OPTIONS |
|---------------|-----------|---|---|
| SP12V- | 13 | EX -Electronic, multi-volt | EM -Emergency battery pack (specify voltage) |
| Spectrum Gold | 18 | 120v thru 277v | FS -Fuse holder and fuse |
| 12" Vertical | 26 | DA1 -Advance Mark 10™ | PR -Plaster ring (pg 1-430) |
| | 32 | powerline dimming, 120v | RM -Remodler housing |
| | 42 | DA2 -Advance Mark 10™ | BH27 -27" mounting bar |
| | 57 | powerline dimming, 277v | TBC -T-bar clip |
| | 70 | DM7 -Advance Mark 7™ | |
| | | 0-10v dimming, 120v thru 277v | |
| | | DL1 -Lutron Compact SETM 120v (min. dimming level 5%) ¹ | |
| | | DL2 -Lutron Compact SETM 277v (min. dimming level 5%) ¹ | |

SP12V

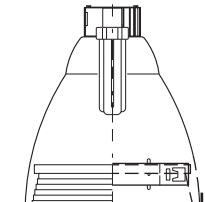
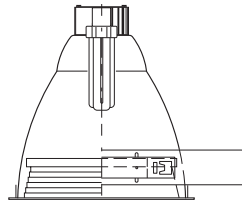
170

EX

2. SPECIFY TRIM

OPEN

LENSED



| TRIM # | FINISH | OPTIONS | TRIM # | SPLAY FINISH | LENS/OPTIONS |
|-------------|-------------------------|-------------------------------|-------------|-----------------------------|-------------------------|
| 1210 | SG -Soft Glow | GS -Gasket | 1220 | WS -White Splay/ | GS -Gasket |
| Open | CL -Clear Alzak | BB -Black Micro Baffle | Lensed | Flange | (standard) |
| | GO -Gold Alzak | WB -White Micro Baffle | | SGS -Soft Glow Alzak | Splay/White |
| | HZ -Haze | | | Flange | RB - Regressed |
| | PW -Pewter | | | Flange | Baffled Splay |
| | UM -Umber Alzak | | | White | RW -Regressed |
| | WE -Wheat Alzak | | | Flange | Baffled Splay |
| | BL -Black Finish | | | | BF -Black Flange |
| | WH -White Finish | | | | |
| | PF -Polished | | | | |
| | Flange | | | | |
| | BF -Black | | | | |
| | Flange | | | | |

1210 SG

GS

1220 WS

GS

3. FINISHED ORDER/SPECIFICATION

SP12VF157EX/1210 SG

Dimensions shown are nominal. Spectrum Lighting is continually improving products and reserves the right to make changes that will not alter performance or appearance with or without written notice.



| | |
|------------------|--------------|
| PROJECT: | TYPE: |
| CAT. NO.: | |

994 Jefferson Street, Fall River, MA 02721 508.678.2303 FAX 508.678.2260

