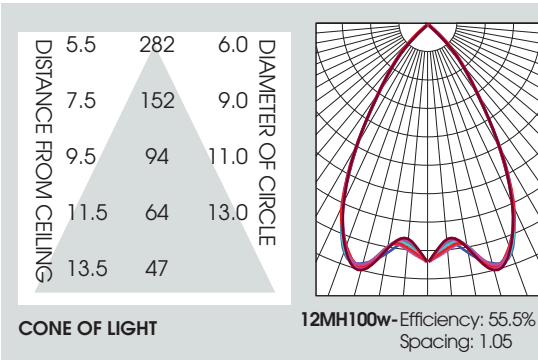
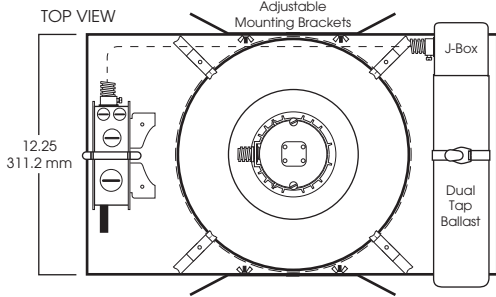
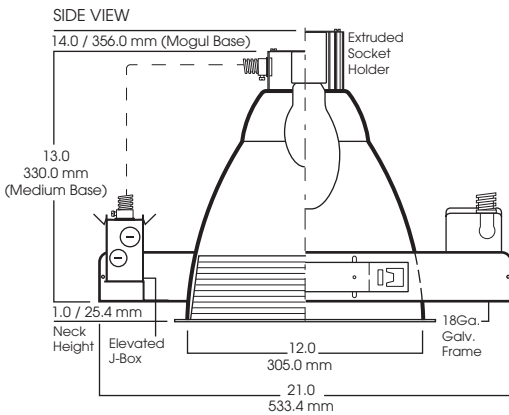


12" HID-MH/HS SERIES OPEN AND LENS REFLECTOR 400 WATT MAX

12MH SPECTRUM SILVER SERIES™



- 12" Metal halide down light series.
- Available open and lens.
- 18 gauge galvanized steel frame.
- 27" bar hangers.
- .0625 spun aluminum reflector.
- Junction box pre-wired, grounded.
- Electronic ballast 120/277V standard.
- Ballast serviceable from the ceiling aperture.
- Suitable for use in damp location. Lensed fixture has Wet Location option.
- UL listed to standard no. 1598.



1. SPECIFY FRAME

FRAME	WATTS	BALLAST	LAMP	OPTIONS
SP12MH- Spectrum Silver 12" Metal Halide	50*	EX-120/277	PAR38	FS -Fuse holder and fuse
	70*	H1-120	ED17	BH27 -27" Mounting Bars (2 per set)
	100*	H2-277	ED28	PR -Plaster Ring 1-430
SP12HS**- Spectrum Silver 12" Metal Halide	150*			RM -Remodeler Housing 1-450
	200			SCA -Slope Ceiling Adaptor 1-435
	250			TBC -T-bar clips 1-475
	320			QRS120 -Quartz Restrike-120v
	400			QRS277 -Quartz Restrike-277v

** F- Can Only
*Electronic Ballast (120/277) standard up to 150.

SP12MH **250** **EX** **ED28** **FS/**

2. SPECIFY TRIM

OPEN			LENSED		
TRIM #	FINISH	OPTIONS	TRIM #	SPLAY FINISH	LENS/OPTIONS
1210 OPEN TRIM	SG -Soft Glow	PF -Polished Flange	1220 LENSED TRIM	ws -White / White flange (standard)	PG -Prismatic Glass lens (standard)
	CL -Clear Alzak	BF -Black Flange		SG -Soft Glow/ White flange	FG -Frosted Glass
	GO -Gold Alzak	HZ -Haze		RB -Regressed Black baffle White flange	FL -Fresnel Lens
	UM -Umber Alzak	WB -White Micro Baffle		RW -Regressed White baffle White flange	GL -Clear Glass lens
	WE -Wheat Alzak	WH -White Finish Micro Baffle		PF -Polished Flange	GS -Gasket
	BL -Black Finish				PC -Clear Polycarbonate
	PF -Polished Flange				PP -Prismatic Polycarbonate
					WL -Wet Location 1-470
					XB -Cross Blade Louver
					DO -Drop Opal

1210 SG **PF** **1220 SGS** **GL**

3. FINISHED ORDER:

SP12MH250H1/1208 SG

Dimensions shown are nominal. Spectrum Lighting is continually improving products and reserves the right to make changes that will not alter performance or appearance with or without written notice.



PROJECT:	TYPE:
CAT. NO.:	

