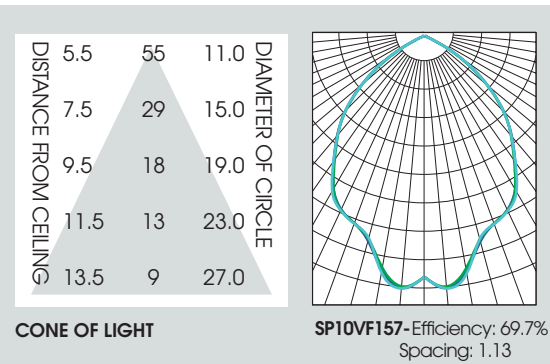
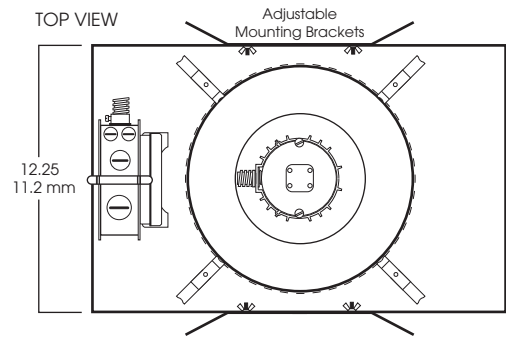
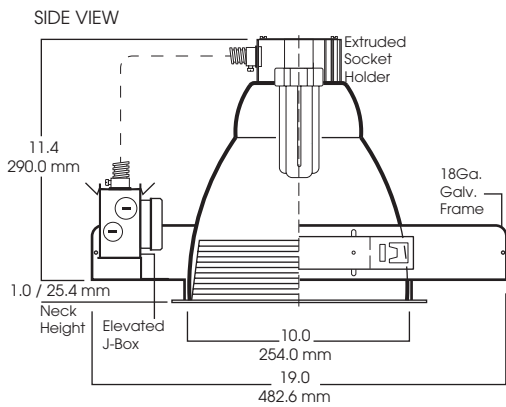


# 10" VERTICAL FLUORESCENT OPEN/LENS 1 x 70 WATT MAX

**10VF**  
**SPECTRUM**  
SILVER SERIES™



- 10" vertical lamp compact fluorescent.
- Available open and lensed.
- 20 gauge galvanized steel frame.
- 12" bar hangers expandable to 24" standard.
- .0625 spun aluminum reflector.
- Junction box pre-wired, grounded.
- Electronic ballast 120/277V standard.
- Ballast serviceable from the ceiling aperture.
- Suitable for use in damp location. Lensed fixture has Wet Location option.
- UL listed to standard no. 1598.



## 1. SPECIFY FRAME

FRAME	WATTS	BALLAST	OPTIONS
<b>SP10V-</b>	<b>13</b>	<b>EX</b> -Electronic, multi-volt 120v thru 277v	<b>EM</b> -Emergency battery pack (specify voltage)
Spectrum Gold	<b>18</b>	<b>DA1</b> -Advance Mark 10™ powerline dimming, 120v	<b>FS</b> -Fuse holder and fuse
10" Vertical	<b>26</b>	<b>DA2</b> -Advance Mark 10™ powerline dimming, 277v	<b>PR</b> -Plaster ring (pg 1-430)
	<b>32</b>	<b>DM7</b> -Advance Mark 7™ 0-10v dimming, 120v thru 277v	<b>RM</b> -Remodler housing
	<b>42</b>	<b>DL1</b> -Lutron Compact SE™ 120v (min. dimming level 5%) <sup>1</sup>	<b>BH27</b> -27" mounting bar
	<b>57</b>	<b>DL2</b> -Lutron Compact SE™ 277v (min. dimming level 5%) <sup>1</sup>	<b>TBC</b> -T-bar clip
	<b>70</b>		

**SP10VF**      **170**      **EX**

## 2. SPECIFY TRIM

OPEN			LENSED		
TRIM #	FINISH	OPTIONS	TRIM #	SPLAY FINISH	LENS/OPTIONS
<b>1010</b>	<b>SG</b> -Soft Glow	<b>GS</b> -Gasket	<b>1020</b>	<b>WS</b> -White Splay/Flange (standard)	<b>PG</b> -Prismatic Glass lens (standard)
Open	<b>CL</b> -Clear Alzak	<b>BB</b> -Black Micro Baffle	Lensed Trim	<b>SG</b> -Soft Glow Alzak Splay/White Flange	<b>FG</b> -Frosted Glass
	<b>GO</b> -Gold Alzak	<b>WB</b> -White Micro Baffle		<b>RB</b> -Regressed Baffled Splay White	<b>FL</b> -Fresnel Lens
	<b>HZ</b> -Haze			<b>RW</b> -Regressed Baffled Splay	<b>GL</b> -Clear Glass lens
	<b>PW</b> -Pewter			<b>BF</b> -Black Flange	<b>GS</b> -Gasket
	<b>UM</b> -Umber Alzak				
	<b>WE</b> -Wheat Alzak				
	<b>BL</b> -Black Finish				
	<b>WH</b> -White Finish				
	<b>PF</b> -Polished Flange				
	<b>BF</b> -Black Flange				

**1010 SG**      **GS**      **1020 WS**      **PG**

## 3. FINISHED ORDER/SPECIFICATION

**SP10VF157EX/1010 SG**

<b>PROJECT:</b>	<b>TYPE:</b>
<b>CAT. NO.:</b>	

Dimensions shown are nominal. Spectrum Lighting is continually improving products and reserves the right to make changes that will not alter performance or appearance with or without written notice.



994 Jefferson Street, Fall River, MA 02721 508.678.2303 FAX 508.678.2260

