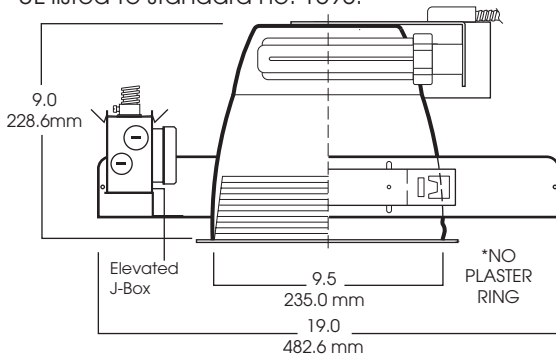


10" HORIZONTAL FLUORESCENT OPEN/LENS/WALL WASH

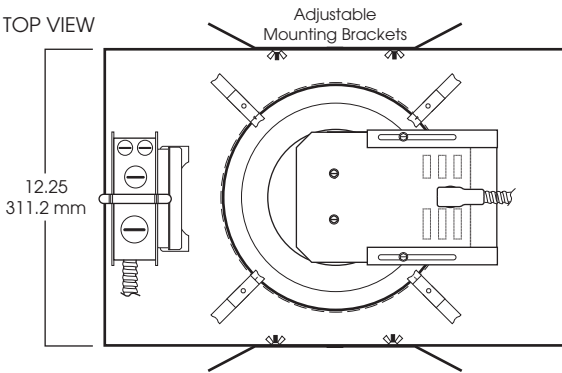
2 x 70 WATT MAX

10HF
SPECTRUM
SILVER SERIES™

- 10" horizontal lamp compact fluorescent.
- Available open, lensed, and wall wash.
- 20 gauge galvanized steel frame.
- 12" bar hangers expandable to 24" standard.
- .0625 spun aluminum reflector.
- Junction box pre-wired, grounded.
- Electronic ballast 120/277V standard.
- Ballast serviceable from the ceiling aperture.
- Suitable for use in damp location. Lensed fixture has Wet Location option.
- UL listed to standard no. 1598.

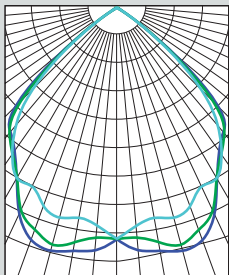


TOP VIEW



DISTANCE FROM CEILING		DIAMETER OF CIRCLE
5.5	76	11.0
7.5	41	15.0
9.5	25	19.0
11.5	17	23.0
13.5	13	27.0

CONE OF LIGHT



9510SG-Efficiency: 51.6%
Spacing: 1.26

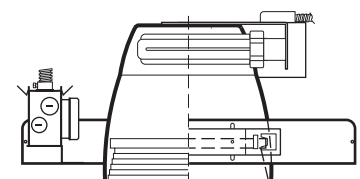
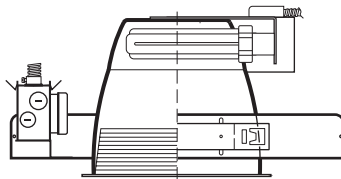
1. SPECIFY FRAME

FRAME	WATTS	BALLAST	OPTIONS
SP10HF	1/2 LAMPS	EX -Electronic 120/277 (standard)	EM -Emergency battery pack (specify voltage)
Spectrum	13	DA1 -Advance Mark10™ dimming, 120v	FS -Fuse holder and fuse
Silver 10"	18	DA2 -Advance Mark 10™ powerline dimming, 277v	PR -Plaster ring (pg 1-430)
Horizontal	26	DM7 -Advance MK7	RM -Remodler housing
	32	DL1 -dimming, 120v thru 277v Lutron Compact SE™ 120v (min. dimming level 5%) ¹	BH27 -27" mounting bar
	42	DL2 -Lutron Compact SE™	TBC -T-bar clip
	57		
	70		

SP10HF **157** **EX** **EM(120)/**

2. SPECIFY TRIM

OPEN LENSED



TRIM #	FINISH	OPTIONS	TRIM #	SPLAY FINISH	LENS/OPTIONS
9510	SG -Soft Glow	PF -Polished Flange	9520	WS -White/White flange (standard)	PG -Prismatic Glass lens (standard)
Open 2 CFL	CL -Clear Alzak		Lensed Splay 2 CFL		FG -Frosted Glass
9610	GO -Gold Alzak	BF -Black Flange	9620	SGS -Soft Glow/White flange	FL -Fresnel Lens
Open 3XCFL	HZ -Haze		Lensed 3XCFL	RB -Regressed Black baffle	GL -Clear Glass lens
9905	PW -Pewter	BB -Black Micro Baffle	9527	RW -Regressed White flange	GS -Gasket
Wall Wash 2 CFL	UM -Umber Alzak		2 Lamp 57/70	PF -Polished Flange	PC -Clear Polycarbonate
9925	WE -Wheat Alzak	WB -White Micro Baffle		BF -Black Flange	PP -Prismatic Polycarbonate
Wall Wash 3XCFL	BL -Black Finish				WL -Wet Location 1-470
9517	WH -White Finish	GS -Gasket			XB -Cross Blade Louver
2 Lamp 57/70	PF -Polished Flange				DO -Drop Opal

9510 SG **GS** **9520** **PG**

3. FINISHED ORDER:

SP10HF257EM(120)/9517 SG BB

Dimensions shown are nominal. Spectrum Lighting is continually improving products and reserves the right to make changes that will not alter performance or appearance with or without written notice.



PROJECT:	TYPE:
CAT. NO.:	

