

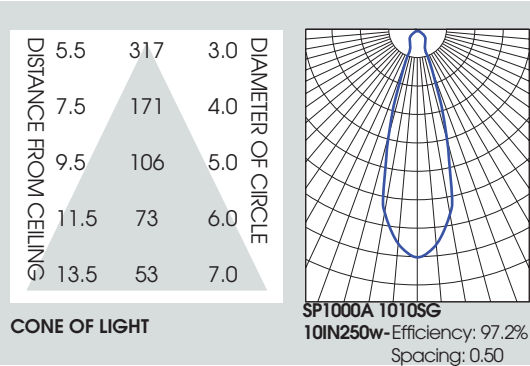
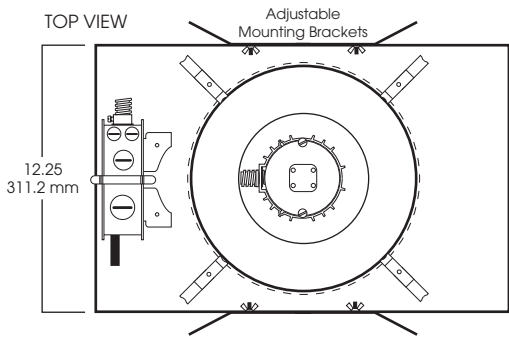
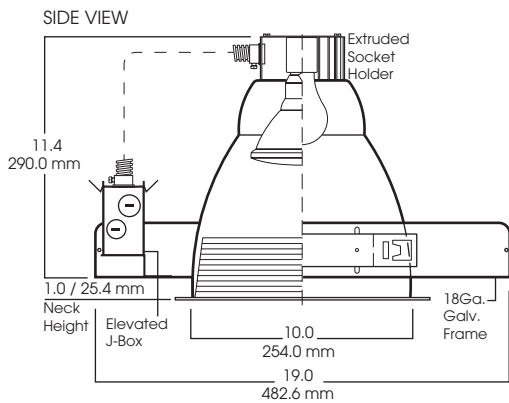
10" INCANDESCENT SERIES OPEN/ LENS 300 WATT MAX

1000A SPECTRUM SILVER SERIES™



FEATURES & SPECIFICATIONS:

- 10" incandescent series.
- Available open and lensed.
- 20 gauge galvanized frame.
- 12" bar hangers expandable to 24" standard. BH27 - 27" bars available.
- Junction box pre-wired, grounded.
- Suitable for use in damp location. Lensed fixture has Wet Location option
- Manufactured and tested to UL No.1598.



Dimensions shown are nominal. Spectrum Lighting is continually improving products and reserves the right to make changes that will not alter performance or appearance with or without written notice.



1. SPECIFY FRAME

FRAME	LAMPS	OPTIONS
SP1000A Spectrum Silver 10"	PAR30L PAR38 R40 A19 A21 A23	T277-277V TO 120V Step-Down transformer BH27-27" Mounting Bars (2 per set) FS -Fuse holder and fuse PR -Plaster Ring 1-430 RM -Remodeler Housing (Split Frame) SCA -Slope Ceiling Adaptor 1-435 TBC -T-bar clips 1-475
SP1000A		FS

2. SPECIFY TRIM

OPEN			LENSED		
TRIM #	FINISH	OPTIONS	TRIM #	FINISH	OPTIONS
1010 Open Trim	SG -Soft Glow CL -Clear Alzak GO -Gold Alzak HZ -Haze PW -Pewter UM -Umber Alzak WE -Wheat Alzak BL -Black Finish WH -White Finish PF -Polished Flange	GS -Gasket BB -Black Micro Baffle WB -White Micro Baffle PF -Polished Flange	1020 Lensed Trim	WS -White Splay/Flange(standard) SGS -Soft Glow Alzak Splay/White Flange RW -Regressed White Baffle Splay/White Flange RB -Regressed Baffled Splay Black W/ White Flange	GL -Clear Temp Glass Lens PG -Prismatic Glass
1010 SG	GS		1020 SGS	PG	

3. FINISHED ORDER/SPECIFICATION

SP1000A/1010 SG

PROJECT:	TYPE:
CAT. NO.:	

