



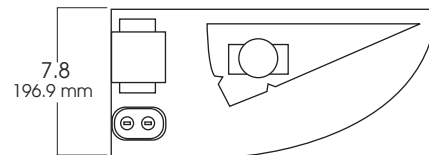
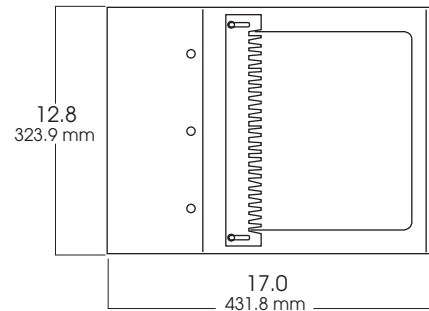
**SPECLUME  
ATRIUM SERIES  
WALL MOUNT**

T6 / ED17-150 WATT MAX MH

**SL  
SERIES**

**PRODUCT INFORMATION:**

- Indirect metal halide fixture.
- Welded heavy gauge aluminum construction.
- Feathering bar at edge of aperture eliminates line on adjacent surface.
- Internal reflector for beam adjustment.
- 20 powder coat options.
- Tempered glass lens.
- Suitable for damp locations.
- Manufactured and tested to UL standard No. 1598.



SERIES	WATTS	BALLAST	LAMPS	OPTIONS	MOUNTING	FINISH
SPC1708MH- Spectrum Metal Halide Indirect Wall Mounted URN Fixture	50 70 100 150	E1 -Electronic, 120v E2 -Electronic, 277v H1 -Magnetic ballast, 120v H2 -Magnetic ballast, 277v	ED17 T6	FS -Fuse Holder and Fuse QRS -Quartz Re-Strike QEM -Quartz Emergency Circuit	WM -Wall Mount	GW -Gloss White GB -Gloss Black MW -Matte White MB -Matte Black BZ -Bronze PT -Platinum Silver MT -Mini Tek Silver TW -Textured White CC -Custom Color
<b>SPC1708MH</b>	<b>150</b>	<b>H1</b>	<b>T6</b>	<b>FS</b>	<b>WM</b>	<b>GW</b>

Dimensions shown are nominal. Spectrum Lighting is continually improving products and reserves the right to make changes that will not alter performance or appearance with or without written notice.



<b>PROJECT:</b>	<b>TYPE:</b>
<b>CAT. NO.:</b>	

