

**SPECLUME  
REFLECTOR PENDANT  
OPEN APERTURE**  
INDUCTION / CF / MH

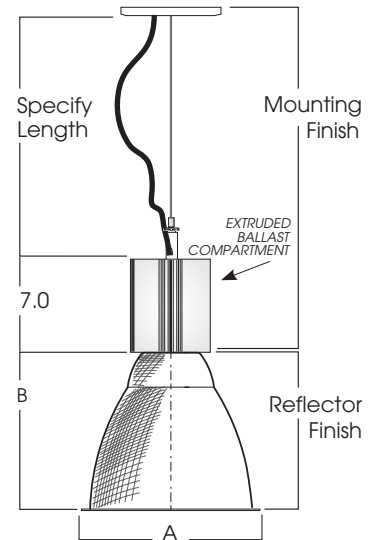
**SL  
SERIES**



**PRODUCT INFORMATION:**

- Reflector Pendant's distinctive styling will enhance any space with efficient lighting and striking design.
- Reflector is spun heavy gauge aluminum.
- Inside finished Soft Glow Alzak for reflectance. Outside finished in your color of your choice.
- Extruded aluminum ballast housing is decorative and functional.
- Choose from 20 powder-coat finish.
- Suitable for use in wet location.
- Manufactured and tested to UL standard No. 1589.

FIXTURE	A	B
RPEXT1014	12"	10 1/4"
RPEXT1214	14"	11 3/4"



MODEL	WATTS	BALLAST	MOUNTING	MOUNT. FINISH	REFLECTOR
RPEXT1014 CF-10" Reflector	(1) 13, 18, 26, 32, 42, 57	EX -Electronic, multi-volt 120v thru 277v	CD* -Cord and Cable Mount	PT -Platinum (Gray Cord/Stem)	RP10PT -10" Platinum
RPEXT1214 CF-12" Reflector	(1) 13, 18, 26, 32, 42, 57, 70 (2) 13, 18, 26, 32, 42, 57, 70	DA1 -Advance Mark 10™ powerline dimming, 120v <sup>1</sup> (CF Only)	CDCC* -Coil Cord and Cable Mount	MB -Matte Black (Black Cord/Stem)	RP10MB -10" Matte Black
RPEXT1014 MH-10" Reflector	(1) 39, 50, 70, 100	DA2 -Advance Mark 10™ powerline dimming, 277v <sup>1</sup> (CF Only)	HM* -Hang Straight Pendant	MW -Matte White (White Cord/Stem)	RP10MW -10" Matte White
RPEXT1214 MH-12" Reflector	(1) 39, 50, 70, 100, 150	G1* -QL Generator 120v G2* -QL Generator 277v	HMAT** -Adjustable Length Hang Straight Pendant	CC -Custom Color (see color chart)	RP12PT -12" Platinum
RPEXT1214 QL-12" Reflector	(1) 55, 85		PM* -Pendant/Straight Mount		RP12MB -12" Matte Black
		*(3K / 4K / 5K)			RP12MW -12" Matte White
			* Specify Length in inches **12" or 36" lengths only See SpecLume Mounting Page		RP12CC* -12" Custom Color
<b>RPEXT1014 CF</b>	<b>142</b>	<b>EX</b>	<b>CD36</b>	<b>MB</b>	<b>RP10MB</b>

Dimensions shown are nominal. Spectrum Lighting is continually improving products and reserves the right to make changes that will not alter performance or appearance with or without written notice.



<b>PROJECT:</b>	<b>TYPE:</b>
<b>CAT. NO.:</b>	

