

SPECLUME 12" PENDANT SERIES HAND BLOWN GLASS

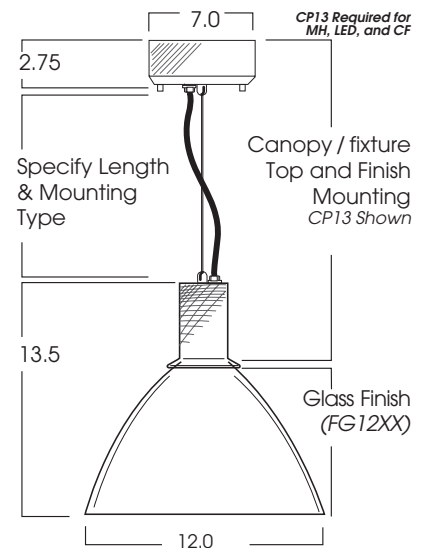
CF / INC / MH / LED

SL SERIES



PRODUCT INFORMATION:

- Decorative hand blown glass pendant is sleek and simple.
- Fixture specification options offer a creative mix of glass and mounting finishes.
- Choose from compact fluorescent, incandescent, metal halide, or LED lamping options.
- See mounting options section for maximum CF/MH lengths.
- Suitable for use in damp location
- Consult the factory for dimming and EM options
- Manufactured and tested to UL standard No. 1598.



MODEL	LAMPS	WATTS	BALLAST	MOUNTING	MOUNTING FINISH	GLASS OPTIONS
DP12FG- Speclume Pendant Series, 12"x10" Hand Blown Frosted Glass	CF **	18, 26, 32, 42*	E1 -Electronic, 120v	CD* -Cord and Cable Mount	PT -Platinum Silver (Gray Cord / Stem)	FG12WH -White Frosted Glass
	INC	100w	E2 -Electronic, 277v	CDCC* -Coil Cord and Cable Mount	MB -Matte Black (Black Cord / Stem)	Clear Glass Available (consult factory)
	MH **	20, 39 (PAR 20)		HM* -Hang Straight Pendant	MW -Matte White (White Cord / Stem)	Colored Glass Available (consult factory)
	LED **	9w3K		HMAT* -Adjustable Length Hang Straight Pendant	BA -Brushed Aluminum (Gray Cord / Stem)	
			PM* -Pendant/Straight Mount	CP13 -Ballast Housing		12x10 Pendant Reflector
	**Requires CP13	*Runs 26, 32,42w Lamp		* Specify Length in inches **12" or 36" lengths only See Speclume Mounting Page		
DP12FG	CF	26	E1	CD36 / CP13	BA	FG12WH

Dimensions shown are nominal. Spectrum Lighting is continually improving products and reserves the right to make changes that will not alter performance or appearance with or without written notice.



PROJECT:	TYPE:
CAT. NO.:	

