

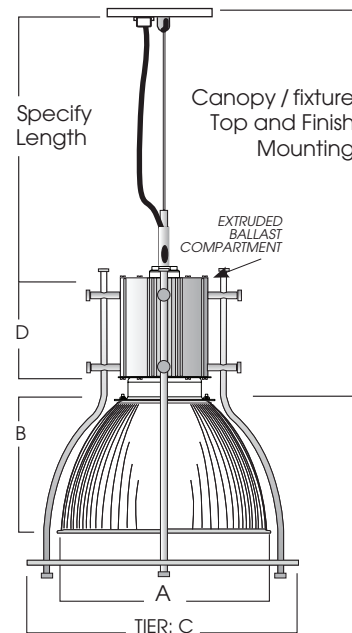
**SPECLUME
TECH PENDANT
ACRYLIC REFRACTOR**
CF / MH

**SL
SERIES**



PRODUCT INFORMATION:

- Tech pendant offers modern style with a variety of lamping options.
- 20 powdercoat colors available.
- Choice of mounting options and mounting systems.
- Damp location listed.
- Manufactured and tested to UL standard No. 1598 ETL Listed.



FIXTURE	A	B	C	D
ATXPR12	12"	8"	15"	7"
ATXPR16	16"	11"	22"	12"

MODEL	WATTS	BALLAST	OPTIONS	TIER OPTIONS	MOUNTING	FINISH
ATXPR12CF - 12" x 8" Compact Fluorescent	1-3 Lamps up to 42w	EX -Electronic 120/277	FS -Fuse holder and fuse EM -Emergency Ballast (remote)	CFG -Center Frosted Glass Tier FGR -Frosted Glass Ring 1MR -Single Metal Ring	HM* -Hang Straight Swivel Fitting CD* -Aircraft Cable, Straight Cord CDCC* -Coil Cord and Cable Mount CD4X* -Cable from each of the 4 Rods	MT -Mini Tek Silver (standard) TW -Texture White BT -Mini Tek Black ** -Custom Finish (consult factory)
ATXPR16CF - 16" x 11" Compact Fluorescent	1-4 Lamp up to 42w					
ATXPR12MH - 12" x 8" Metal Halide	1 MH Lamp up to 70w					
ATXPR16MH - 16" x 11" Metal Halide	1 MH Lamp up to 100w					
ATXPR16CF	442	EX	EM/	CFG	HM36	TW

* Specify Length in inches
See Spectrume Mounting Page

Dimensions shown are nominal. Spectrum Lighting is continually improving products and reserves the right to make changes that will not alter performance or appearance with or without written notice.



PROJECT:	TYPE:
CAT. NO.:	

