

# INFINIUM™ LED SERIES LED ACCENT LIGHTING GUIDE “PULSE TECH” 14 WATT

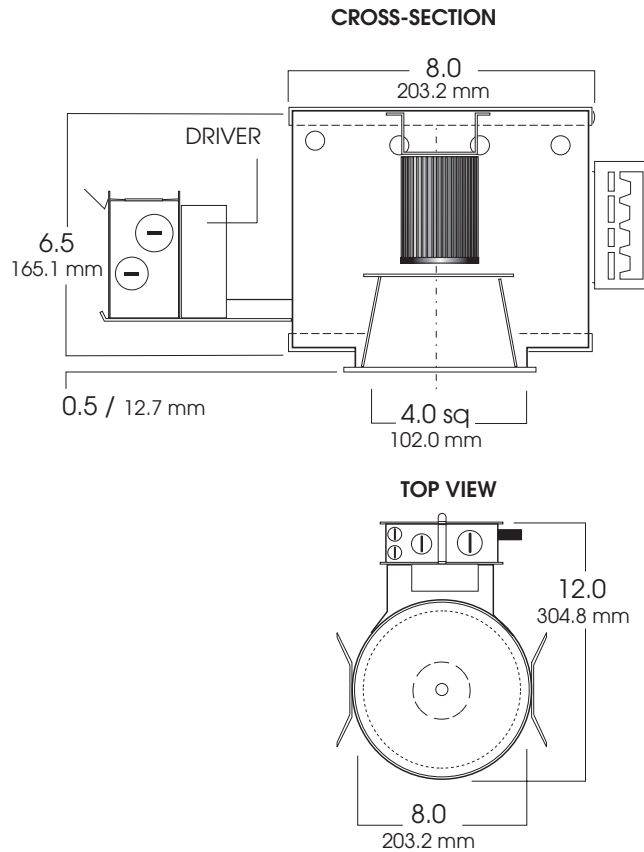
**D4SQLED**  
**SPECTRUM**  
**INFINIUM™**

## FEATURES & SPECIFICATIONS:

- Square 14 watt, “Pulse Tech” LED series.
- Features integral air-cooling technology.
- Single high powered LED produces point source quality and luminaire focus.
- All LED modules and drivers are replacable and up-gradeable.
- 50,000 hours rated LED system life.
- Intended for Non-IC new construction.
- **Not Dimmable.**
- Supplied with 27” long, #12 ga. galvanized steel bar hangers.
- Manufactured and built to UL standard No 8750.

Max Ceiling Thickness: 1.5 (38.1 mm)  
Ceiling Cutout: 4.6<sup>2</sup> (116.8 mm)<sup>2</sup>  
Fixture Weight: 4.0 lbs

KELVIN°	WATTAGE	LUMENS
27K°	14W	350
31K°	14W	375
35K°	14W	400
41K°	14W	480
55K°	14W	560



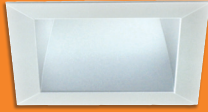
SERIES	LED	KELVIN	BEAM	VOLTAGE	OPTIONS	TRIM / FINISH	OPTIONS
SGD4SQLED- INFINIUM 4” LED Square Downlight	14w	27K -2700° Kelvin 31K -3100° Kelvin 35K -2900° Kelvin 41K -4100° Kelvin 55K -5500° Kelvin	ND (12°) MD (22°) WD (38°)	E1 -Electronic, 120v E2 -Electronic, 277v  Dimming Not Available	BH6 -Expandable Bar Hangers, 6” - 12” BH12 -Expandable Bar Hangers, 12” - 24” CB24 -C-Channel bars (1-470) FS -Fuse Holder and Fuse CR -Corrosion Resistant (1-460) PR -Plaster Ring (1-430) TBC -T-bar clips (1-475) GR -Goof Ring (1-470) SCA -Slope Ceiling Adaptor (1-435)	AR0404LED-MW -Matte White (standard) SG -Semi- Diffuse Low Iridescent HZ -Matte Low Iridescent WE -Wheat Alzak MB -Matte Black CC -Custom Color PF -Polished Flange WF -White Flange	GS -Gasket WL -Wet Location DEC -Decorative trims available- see Trim Pages
<b>SGD4SQLED</b>	<b>14W</b>	<b>31K</b>	<b>MD</b>	<b>E1</b>	<b>CB24</b>	<b>AR0404LED SG</b>	<b>GS</b>

Dimensions shown are nominal. Spectrum Lighting is continually improving products and reserves the right to make changes that will not alter performance or appearance with or without written notice.



<b>PROJECT:</b>	<b>TYPE:</b>
<b>CAT. NO.:</b>	





# INFINIUM™ LED SERIES LED ACCENT LIGHTING GUIDE “PULSE TECH” 14 WATT

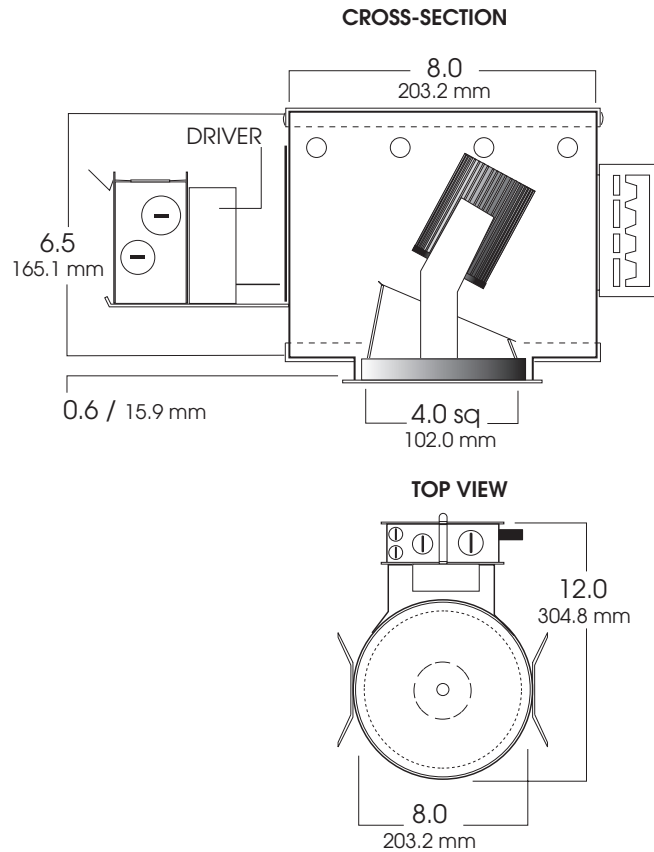
**A4SQLED**  
**SPECTRUM**  
**INFINIUM™**

## FEATURES & SPECIFICATIONS:

- Square 14 watt, “Pulse Tech” LED series.
- Features integral air-cooling technology.
- Single high powered LED produces point source quality and luminaire focus.
- All LED modules and drivers are replacable and up-gradeable.
- 50,000 hours rated LED system life.
- Intended for Non-IC new construction.
- **Not Dimmable.**
- Supplied with 27” long, #12 ga. galvanized steel bar hangers.
- Manufactured and built to UL standard No 8750.

Max Ceiling Thickness: 1.5 (38.1 mm)  
Ceiling Cutout: 4.6<sup>2</sup> (116.8 mm)<sup>2</sup>  
Fixture Weight: 4.0 lbs

KELVIN°	WATTAGE	LUMENS
27K°	14W	350
31K°	14W	375
35K°	14W	400
41K°	14W	480
55K°	14W	560



SERIES	LED	KELVIN	BEAM	VOLTAGE	OPTIONS	TRIM / FINISH	OPTIONS
SGA4SQLED- INFINIUM 4” LED Square Adjustable Downlight	14w	27K -2700° Kelvin 31K -3100° Kelvin 35K -2900° Kelvin 41K -4100° Kelvin 55K -5500° Kelvin	ND (12°) MD (22°) WD (38°)	E1 -Electronic, 120v E2 -Electronic, 277v  Dimming Not Available	BH6 -Expandable Bar Hangers, 6” - 12” BH12 -Expandable Bar Hangers, 12” - 24” CB24 -C-Channel bars (1-470) FS -Fuse Holder and Fuse CR -Corrosion Resistant (1-460) PR -Plaster Ring (1-430) TBC -T-bar clips (1-475) GR -Goof Ring (1-470) SCA -Slope Ceiling Adaptor (1-435)	AR0204LED-MW -Matte White (standard) SG -Semi- Diffuse Low Iridescent HZ -Matte Low Iridescent WE -Wheat Alzak MB -Matte Black CC -Custom Color PF -Polished Flange WF -White Flange	GS -Gasket WL -Wet Location DEC -Decorative trims available- see Trim Pages
<b>SGA4SQLED</b>	<b>14W</b>	<b>31K</b>	<b>MD</b>	<b>E1</b>	<b>CB24</b>	<b>AR0204LED SG</b>	<b>GS</b>

Dimensions shown are nominal. Spectrum Lighting is continually improving products and reserves the right to make changes that will not alter performance or appearance with or without written notice.



<b>PROJECT:</b>	<b>TYPE:</b>
<b>CAT. NO.:</b>	





# INFINIUM™ LED SERIES LED ACCENT LIGHTING GUIDE “PULSE TECH” 14 WATT

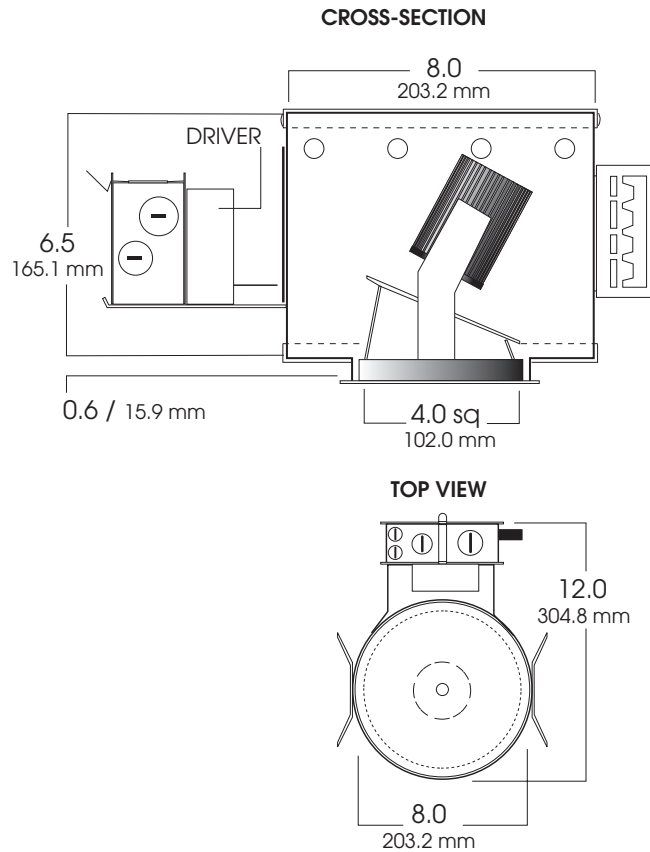
**L4SQLED**  
**SPECTRUM**  
**INFINIUM™**

## FEATURES & SPECIFICATIONS:

- Square 14 watt, “Pulse Tech” LED series.
- Features integral air-cooling technology.
- Single high powered LED produces point source quality and luminaire focus.
- All LED modules and drivers are replacable and up-gradeable.
- 50,000 hours rated LED system life.
- Intended for Non-IC new construction.
- **Not Dimmable.**
- Supplied with 27” long, #12 ga. galvanized steel bar hangers.
- Manufactured and built to UL standard No 8750.

Max Ceiling Thickness: 1.5 (38.1 mm)  
Ceiling Cutout: 4.6<sup>2</sup> (116.8 mm)<sup>2</sup>  
Fixture Weight: 4.0 lbs

KELVIN°	WATTAGE	LUMENS
27K°	14W	350
31K°	14W	375
35K°	14W	400
41K°	14W	480
55K°	14W	560



SERIES	LED	KELVIN	BEAM	VOLTAGE	OPTIONS	TRIM / FINISH	OPTIONS
<b>SGL4SQLED-</b> INFINIUM 4" LED Square Spread Lens Wall Wash	<b>14w</b>	<b>27K</b> -2700° Kelvin <b>31K</b> -3100° Kelvin <b>35K</b> -2900° Kelvin <b>41K</b> -4100° Kelvin <b>55K</b> -5500° Kelvin	<b>ND</b> (12°) <b>MD</b> (22°) <b>WD</b> (38°)	<b>E1</b> -Electronic, 120v <b>E2</b> -Electronic, 277v  Dimming Not Available	<b>BH6</b> -Expandable Bar Hangers, 6" - 12" <b>BH12</b> -Expandable Bar Hangers, 12" - 24" <b>CB24</b> -C-Channel bars (1-470) <b>FS</b> -Fuse Holder and Fuse <b>CR</b> -Corrosion Resistant (1-460) <b>PR</b> -Plaster Ring (1-430) <b>TBC</b> -T-bar clips (1-475) <b>GR</b> -Goof Ring (1-470) <b>SCA</b> -Slope Ceiling Adaptor (1-435)	<b>AR0104LED-MW</b> -Matte White (standard) <b>SG</b> -Semi- Diffuse Low Iridescent <b>HZ</b> -Matte Low Iridescent <b>WE</b> -Wheat Alzak <b>MB</b> -Matte Black <b>CC</b> -Custom Color <b>PF</b> -Polished Flange <b>WF</b> -White Flange	<b>GS</b> -Gasket <b>WL</b> -Wet Location <b>DEC</b> -Decorative trims available- see Trim Pages
<b>SGL4SQLED</b>	<b>14W</b>	<b>31K</b>	<b>MD</b>	<b>E1</b>	<b>CB24</b>	<b>AR0104LED SG</b>	<b>GS</b>

Dimensions shown are nominal. Spectrum Lighting is continually improving products and reserves the right to make changes that will not alter performance or appearance with or without written notice.



<b>PROJECT:</b>	<b>TYPE:</b>
<b>CAT. NO.:</b>	

