

FEATURES

- Plaster rings used with the Spectrum Gold (SG) series are factory installed.
- Fixture optics are lowered to compensate for the added ceiling depth.
- The rings are used when the ceiling is deeper than 1", and provide a guide for reflector installation and plastering during construction.
- Standard depths are 1.0, 1.5, 2.0, 2.5 and 3.0 inches. Other depths may be ordered, consult the factory.

APPLICATIONS:

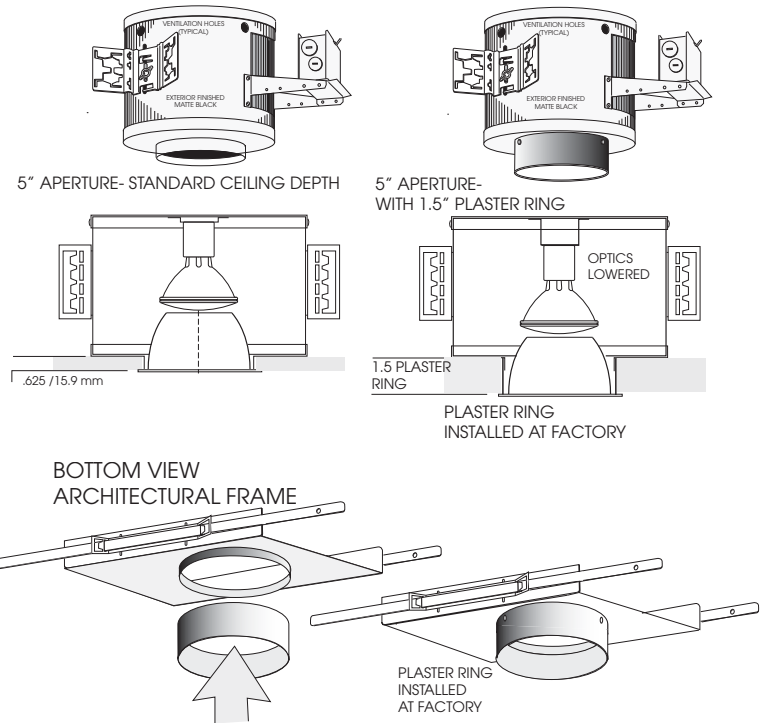
- Deep Ceiling Applications.

Dimensions shown are nominal. Spectrum Lighting is continually improving products and reserves the right to make changes that will not alter performance or appearance.

PLASTER RINGS SPECIFICATION

ALL LAMP TYPES SG SERIES

PR*
FEATURES



ORDERING PLASTER RINGS"
PR1.0 1" DEEP PLASTER RING
PR1.5 1 1/2" DEEP PLASTER RING
PR2.0 2" DEEP PLASTER RING
PR2.5 2 1/2" DEEP PLASTER RING
PR3.0 3" DEEP PLASTER RING
PR* *Custom Depth- call Factory

SPECIFYING PLASTER RINGS-SG SERIES

MODEL	LAMPS	BALLAST	LAMPS	ELECTRICAL	OPTIONS	REFLECTOR
Select SG fixture series	Choose Lamp Wattage(s)	Specify Ballast (if required) see Individual Pages	Choose Lamp Type	Specify Circuits, Fusing (if required) see Individual Pages	Choose Options from catalog page specify:	Choose the Reflector and Finish
EXAMPLE: SGD5MH	70	EX/	PAR30	FS	PR1.0 -1" Deep PR1.5 -1 1/2" Deep PR2.0 - 2" Deep PR2.5 - 2 1/2" Deep PR3.0 - 3" Deep PR* - * Custom Depth-Consult Factory /PR2.0	/AR5400SG

