



9" HORIZONTAL FLUORESCENT SHALLOW CROSS BAFFLE

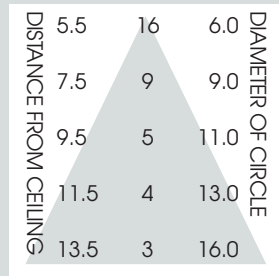
2 x 42 WATT MAX



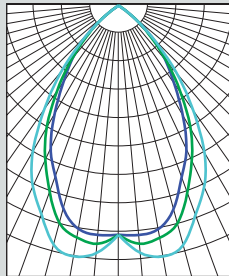
FEATURES & SPECIFICATIONS:

- SGX9H is a shallow 9" aperture four-cell cross baffle.
- Intended for Non-IC new construction.
- Frame constructed of 20 ga. galvanized steel.
- Supplied with 27" long, heavy ga. galvanized steel bar hangers.
- Ballasts shall be integrally mounted, electronic sound rated "A", Class P, multi-volt 120v - 277v.
- UL Listed for Damp Locations.
- For options detail, see page numbers listed below.

Max Ceiling Thickness: 1.5 (38.1 mm)
 Ceiling Cutout: 9.4 Ø (238.8 mm Ø)
 Fixture Weight: 6.2 lbs

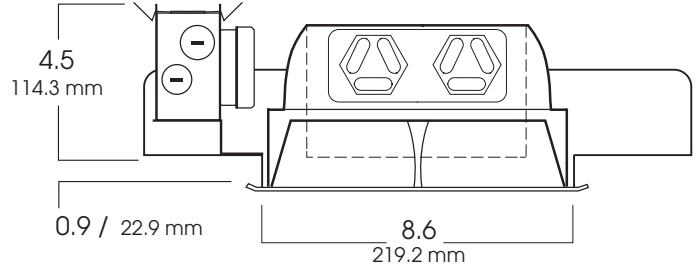


CONE OF LIGHT

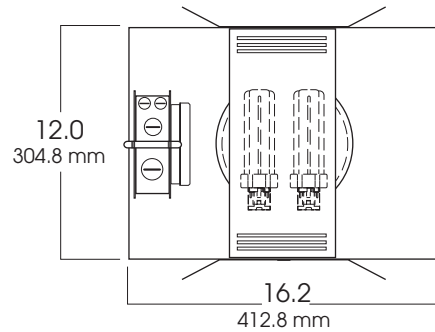


X9H213w - Efficiency: 34.7%
 Spacing: 0.96

CROSS-SECTION



TOP VIEW



SERIES	WATTS	BALLAST	OPTIONS	TRIM / FINISH	TRIM OPTIONS
SGX9H- Spectrum Gold 9" Horizontal Shallow	213 218 226 232 242	EX -Electronic, multi-volt 120v thru 277v DA1 -Advance Mark 10™ powerline dimming, 120v ¹ DA2 -Advance Mark 10™ powerline dimming, 277v ¹ DAM7 -Advance Mark 7™ 0-10v dimming, 120v thru 277v DL1 -Lutron Compact SE™ 120v (min. dimming level 5%) ¹ DL2 -Lutron Compact SE™ 277v (min. dimming level 5%) ¹	CB24 -C-Channel bars 1-470 CCEA -Chicago Ceiling Plenum CCEA 1-480 CR -Corrosion Resistant 1-460 EM -Emergency battery pack 1-420 FS -Fuse holder and fuse PR -Plaster Ring 1-430 RM -Remodeler Housing 1-450 TBC -T-bar clips 1-475 TST -Twist-Lok Socket 1-425	AR9500-SG -Semi-Diffuse Low Iridescent (standard) CL -Clear Bright Alzak GO -Gold Alzak HZ -Matte Low Iridescent PW -Pewter Alzak UM -Umber Alzak WE -Wheat Alzak BL -Black Finish WH -White Finish PF -Polished Flange	GL -Clear Glass GS -Gasket
SGX9H	242	EX	EM/	AR9500 SG	GS

¹ Not available for 13w
Quad or TRT lamp

Note: White flange is
standard.

Dimensions shown are nominal. Spectrum Lighting is continually improving products and reserves the right to make changes that will not alter performance or appearance with or without written notice.



PROJECT:	TYPE:
CAT. NO.:	

