



# 8" HORIZONTAL FLUORESCENT SQUARE APERTURE / CROSS BAFFLE

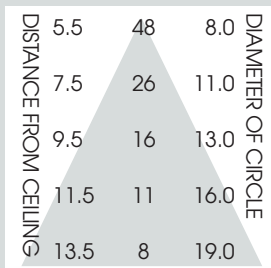
2 x 42 WATT MAX



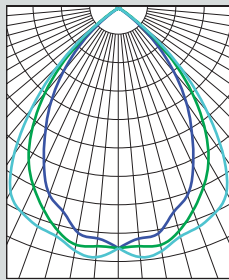
### FEATURES & SPECIFICATIONS:

- EFEX<sup>2</sup> Series CF Square aperture. Fixture features shallow plenum and deep cutoff.
- Intended for Non-IC new construction. For IC applications, refer to page 1-400.
- Frame constructed of 20 ga. galvanized steel.
- Supplied with 27" long, heavy ga. galvanized steel bar hangers.
- Ballasts shall be integrally mounted, electronic sound rated "A", Class P, multi-volt 120v - 277v.
- Upper reflector shall be high purity specular aluminum.
- UL Listed for Damp Locations.
- For options detail, see page numbers listed below.

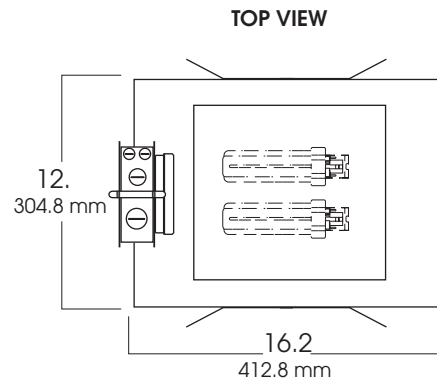
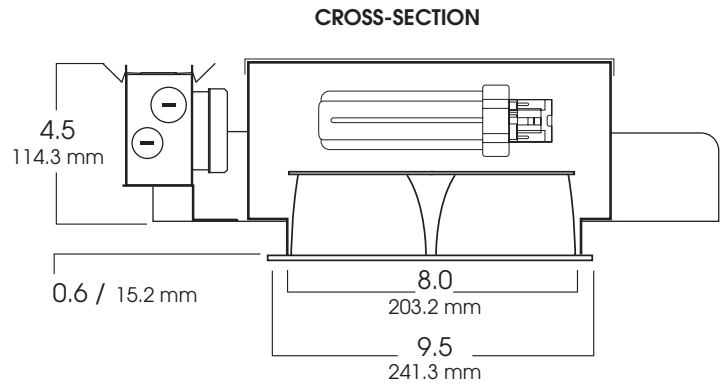
Max Ceiling Thickness: 1.5 (38.1 mm)  
 Ceiling Cutout: 9.0" (228.6 mm)<sup>2</sup>  
 Fixture Weight: 9.0 lbs



CONE OF LIGHT



X8HSQ242w - Efficiency: 33.7%  
 Spacing: 1.00



SERIES	WATTS	BALLAST	OPTIONS	TRIM / FINISH	TRIM OPTIONS
SGX8HSQ- Spectrum Gold 8" Cross Baffle Horizontal	213 218 226 232 242	EX -Electronic, multi-volt 120v thru 277v DA1 -Advance Mark 10™ powerline dimming, 120v <sup>1</sup> DA2 -Advance Mark 10™ powerline dimming, 277v <sup>1</sup> DAM7 -Advance Mark 7™ 0-10v dimming, 120v thru 277v DL1 -Lutron Compact SE™ 120v (min. dimming level 5%) <sup>1</sup> DL2 -Lutron Compact SE™ 277v (min. dimming level 5%) <sup>1</sup>	CB24 -C-Channel bars 1-470 CCEA -Chicago Ceiling Plenum CCEA 1-480 CR -Corrosion Resistant 1-460 EM -Emergency battery pack 1-420 FS -Fuse holder and fuse IC -Insulation Contact 1-400 PR -Plaster Ring 1-430 TBC -T-bar clips 1-475 TST -Twist-Lok Socket 1-425	AR0808XB-SG -Semi-Diffuse Low Iridescent (standard) GM -Corrugated Soft Glow GO -Gold Alzak MB -Matte Black MW -Matte White PW -Pewter Alzak UM -Umber Alzak WE -Wheat Alzak BF -Black Flange WF -White Flange CC -Custom Color	FG -Frosted Glass GS -Gasket SO -Micro Prism Solite™ lens PA -Prismatic Acrylic lens PG -Prismatic (T73) lens PL -Tempered Clear Glass lens SK -Skytek™ linear lens WL -Wet Location 1-470
<b>SGX8HSQ</b>	<b>242</b>	<b>EX</b>	<b>EM/</b>	<b>AR0808XB SG</b>	<b>FG</b>

<sup>1</sup> Not available for 13w Quad or TRT lamp

Note: Polished flange is standard.

Dimensions shown are nominal. Spectrum Lighting is continually improving products and reserves the right to make changes that will not alter performance or appearance with or without written notice.



PROJECT:	TYPE:
CAT. NO.:	

