



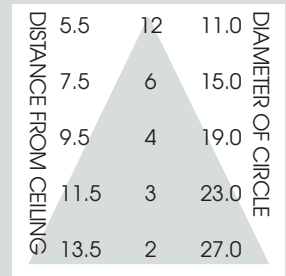
# 7" HORIZONTAL FLUORESCENT SHALLOW WALL WASH

2 x 26 WATT MAX

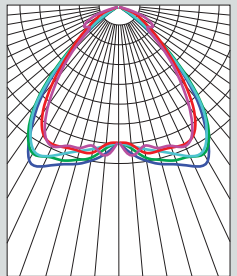


- FEATURES & SPECIFICATIONS:**
- Shallow profile with an even wall wash.
  - Intended for Non-IC new construction. For IC applications, refer to page 1-400.
  - Frame constructed of 20 ga. galvanized steel.
  - Supplied with 27" long, heavy ga. galvanized steel bar hangers.
  - Ballasts shall be integrally mounted, electronic sound rated "A", Class P, multi-volt 120v - 277v.
  - UL Listed for Damp Locations.
  - For options detail, see page numbers listed below.

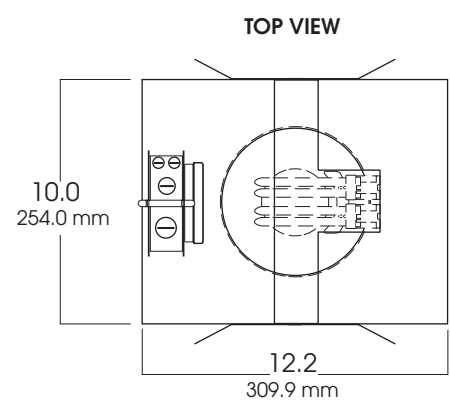
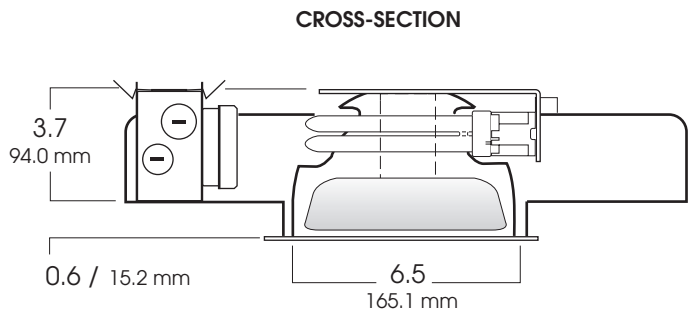
Max Ceiling Thickness: 1.0 (25.4 mm)  
 Ceiling Cutout: 7.0 Ø (177.8 mm Ø)  
 Fixture Weight: 4.0 lbs



**CONE OF LIGHT**



**WS7H126w**- Efficiency: 48.1%  
 Spacing: 1.54



SERIES	WATTS <sup>1</sup>	BALLAST	OPTIONS	TRIM / FINISH	TRIM OPTIONS
<b>SGWS7H-</b> Spectrum Gold 7" Shallow Horizontal	<b>(1 or 2) 13</b> <b>(1 or 2) 18</b> <b>(1 or 2) 26</b>	<b>EX</b> -Electronic, multi-volt 120v thru 277v <b>DA1</b> -Advance Mark 10™ powerline dimming, 120v <sup>1</sup> <b>DA2</b> -Advance Mark 10™ powerline dimming, 277v <sup>1</sup> <b>DAM7</b> -Advance Mark 7™ 0-10v dimming, 120v thru 277v <b>DL1</b> -Lutron Compact SE™ 120v (min. dimming level 5%) <sup>1</sup> <b>DL2</b> -Lutron Compact SE™ 277v (min. dimming level 5%) <sup>1</sup>	<b>CB24</b> -C-Channel bars 1-470 <b>CCEA</b> -Chicago Ceiling Plenum CCEA 1-480 <b>CR</b> -Corrosion Resistant 1-460 <b>EM</b> -Emergency battery pack 1-420 <b>FS</b> -Fuse holder and fuse <b>IC</b> -Insulation Contact 1-400 <b>PR</b> -Plaster Ring 1-430 <b>RM</b> -Remodeler Housing 1-450 <b>SCA</b> -Slope Ceiling Adaptor 1-435 <b>TBC</b> -T-bar clips 1-475 <b>TST</b> -Twist-Lok Socket 1-425	<b>AR7080-SG</b> -Semi-Diffuse Low Iridescient (standard) <b>CL</b> -Clear Bright Alzak <b>GO</b> -Gold Alzak <b>HZ</b> -Matte Low Iridescient <b>PW</b> -Pewter Alzak <b>UM</b> -Umber Alzak <b>WE</b> -Wheat Alzak <b>BL</b> -Black Finish <b>WH</b> -White Finish <b>PF</b> -Polished Flange  Note: White flange is standard.	<b>CW</b> -Corner Wall Wash <b>DW</b> -Double Wall Wash <b>GS</b> -Gasket
<b>SGWS7H</b>	<b>226</b>	<b>EX</b>	<b>EM/</b>	<b>AR7080 SG</b>	<b>CW</b>

Dimensions shown are nominal. Spectrum Lighting is continually improving products and reserves the right to make changes that will not alter performance or appearance with or without written notice.



<b>PROJECT:</b>	<b>TYPE:</b>
<b>CAT. NO.:</b>	

