



# 8" VERTICAL FLUORESCENT OPEN WALL WASH

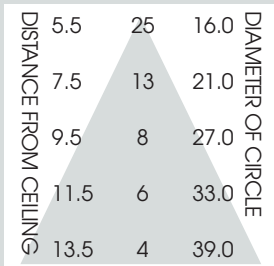
1 x 42 WATT MAX

**W8V**  
**SPECTRUM**  
**GOLD SERIES™**

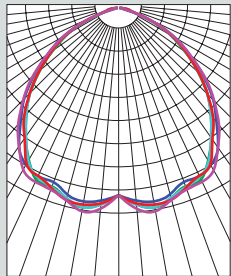
### FEATURES & SPECIFICATIONS:

- 8" aperture series features a deep reflector for excellent cutoff and even wall wash.
- Intended for Non-IC new construction. For IC applications, refer to page 1-400.
- Frame constructed of 20 ga. galvanized steel.
- Supplied with 27" long, heavy ga. galvanized steel bar hangers.
- Ballasts shall be integrally mounted, electronic sound rated "A", Class P, multi-volt 120v - 277v.
- UL Listed for Damp Locations.
- For options detail, see page numbers listed below.

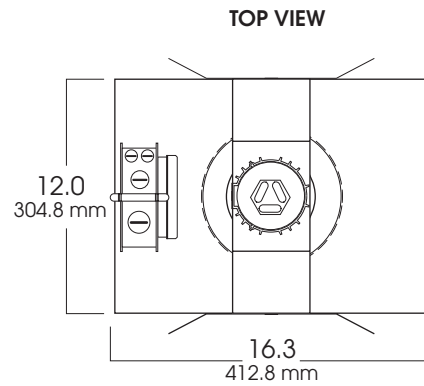
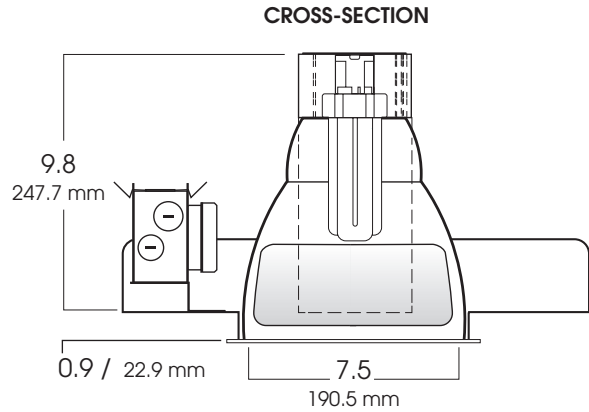
Max Ceiling Thickness: 1.5 (38.1 mm)  
Ceiling Cutout: 8.0 Ø (203.2mm Ø)  
Fixture Weight: 6.0 lbs



CONE OF LIGHT



W8V142w - Efficiency: 64.0%  
Spacing: 1.14



SERIES	WATTS	BALLAST	OPTIONS	TRIM / FINISH	TRIM OPTIONS
SGW8V- Spectrum Gold 8" Vertical Wall Wash	113 118 126 132 142	EX -Electronic, multi-volt 120v thru 277v DA1 -Advance Mark 10™ powerline dimming, 120v <sup>1</sup> DA2 -Advance Mark 10™ powerline dimming, 277v <sup>1</sup> DAM7 -Advance Mark 7™ 0-10v dimming, 120v thru 277v DL1 -Lutron Compact SE™ 120v (min. dimming level 5%) <sup>1</sup> DL2 -Lutron Compact SE™ 277v (min. dimming level 5%) <sup>1</sup>	CB24 -C-Channel bars 1-470 CCEA -Chicago Ceiling Plenum CCEA 1-480 CR -Corrosion Resistant 1-460 EM -Emergency battery pack 1-420 FS -Fuse holder and fuse IC -Insulation Contact 1-400 PR -Plaster Ring 1-430 RM -Remodeler Housing 1-450 SCA -Slope Ceiling Adaptor 1-435 TBC -T-bar clips 1-475 TST -Twist-Lok Socket 1-425	AR8935-SG -Semi-Diffuse Low Iridescent (standard) CL -Clear Bright Alzak GO -Gold Alzak HZ -Matte Low Iridescent PW -Pewter Alzak UM -Umber Alzak WE -Wheat Alzak BL -Black Finish WH -White Finish PF -Polished Flange	CW -Corner Wall Wash DW -Double Wall Wash GS -Gasket
<b>SGW8V</b>	<b>132</b>	<b>EX</b>	<b>EM/</b>	<b>AR8935 SG</b>	<b>CW</b>

<sup>1</sup> Not available for 13w Quad or TRT lamp

Note: White flange is standard.

Dimensions shown are nominal. Spectrum Lighting is continually improving products and reserves the right to make changes that will not alter performance or appearance with or without written notice.



<b>PROJECT:</b>	<b>TYPE:</b>
<b>CAT. NO.:</b>	

