



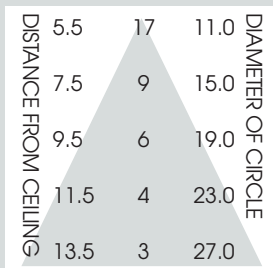
# 8" MRI SERIES OPEN WALL WASH 200 WATT MAX

**W8MRI**  
**SPECTRUM**  
**GOLD SERIES™**

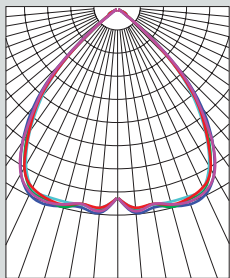
### FEATURES & SPECIFICATIONS:

- 5052 all aluminum frame and hardware (non-ferrous),
- For use in MRI equipment areas.
- Series features an aluminum wall wash reflector with white flange (standard).
- Intended for Non-IC new construction. For IC applications, refer to page 1-400.
- Adjustable mounting brackets standard.
- **120 Volt** is standard. Use option **T277** for 277v supply feed.

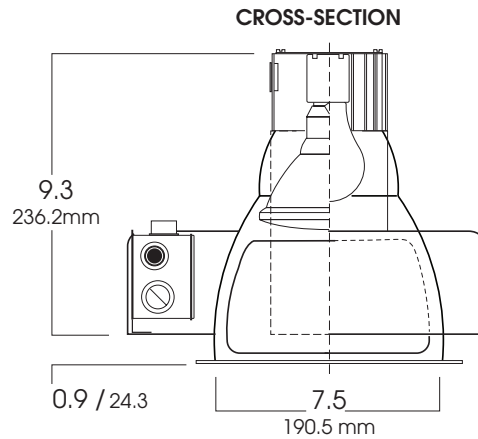
Max Ceiling Thickness: 1.0 (25.4 mm)  
Ceiling Cutout: 8.0 Ø (203.2 mm Ø)  
Fixture Weight: 6.0 lbs



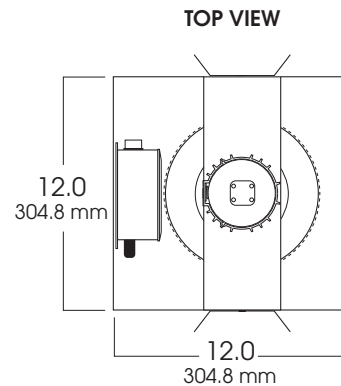
CONE OF LIGHT



W8IN100w- Efficiency: 59.0%  
Spacing: 1.38



CROSS-SECTION



TOP VIEW

SERIES	OPTIONS	TRIM / FINISH	TRIM OPTIONS	FIXTURE LAMPING *						
<b>SGW8IN-</b> Spectrum Gold 8" Vertical Wall Wash MRI	<b>FS</b> -Fuse holder and fuse <b>PR</b> -Plaster Ring 1-430 <b>RM</b> -Remodeler Housing 1-450 <b>SCA</b> -Slope Ceiling Adaptor 1-435 <b>T277</b> -Step down Transformer 277v to 120v	<b>AR8925-SG</b> -Semi-Diffuse Low Iridescent (standard) <b>CL</b> -Clear Bright Alzak <b>GO</b> -Gold Alzak <b>HZ</b> -Matte Low Iridescent <b>PW</b> -Pewter Alzak <b>UM</b> -Umber Alzak <b>WE</b> -Wheat Alzak <b>BL</b> -Black Finish <b>WH</b> -White Finish <b>PF</b> -Polished Flange  Note: White flange is standard.	<b>CW</b> -Corner Wall Wash <b>DW</b> -Double Wall Wash <b>GS</b> -Gasket	<table border="1"> <thead> <tr> <th>LAMP</th> <th>MAX. WATTAGE</th> </tr> </thead> <tbody> <tr> <td>A 19</td> <td>100w</td> </tr> <tr> <td>A 21</td> <td>200w</td> </tr> </tbody> </table> <p>*Medium Base For DC rating: Use <b>DC RATED</b> Incandescent Lamps</p>	LAMP	MAX. WATTAGE	A 19	100w	A 21	200w
LAMP	MAX. WATTAGE									
A 19	100w									
A 21	200w									
<b>SGW8MRI</b>	<b>FS</b>	<b>AR8925 SG</b>	<b>CW</b>							

Dimensions shown are nominal. Spectrum Lighting is continually improving products and reserves the right to make changes that will not alter performance or appearance with or without written notice.



PROJECT:	TYPE:
CAT. NO.:	

