



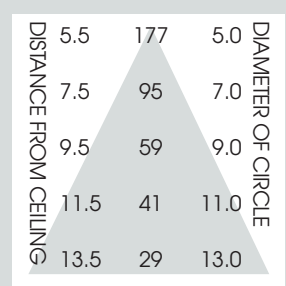
8" HID-MH / HPS SERIES OPEN WALL WASH 150 WATT MAX



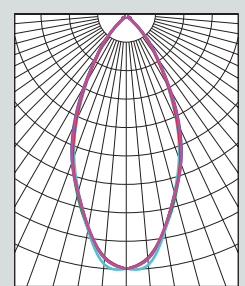
FEATURES & SPECIFICATIONS:

- 8MH series features a deep reflector for excellent cutoff and even wall wash.
- Intended for Non-IC new construction.
- Frame constructed of 20 ga. galvanized steel.
- Supplied with 27" long, heavy ga. galvanized steel bar hangers.
- Ballasts shall be integrally mounted, electronic sound rated "A", multi-volt 120v or 277v.
- UL Listed for Damp Locations.
- For options detail, see page numbers listed below.

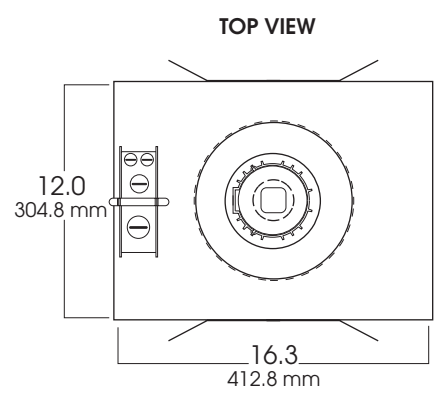
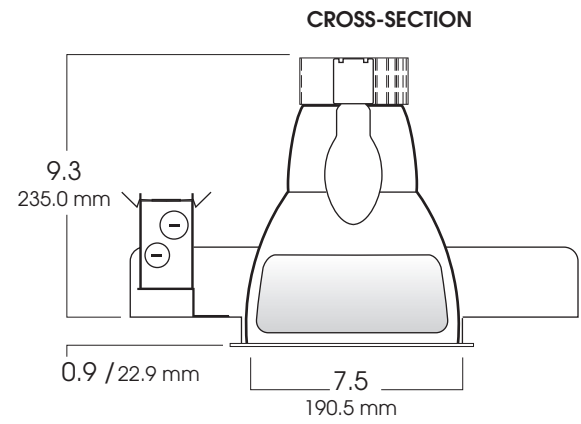
Max Ceiling Thickness:	1.5 (38.1 mm)
Ceiling Cutout:	8.0 Ø (203.2 mm Ø)
Fixture Weight:	6.4 lbs (MH)



CONE OF LIGHT



W8MH100w - Efficiency: 53.1%
Spacing: 0.76



FITTURE LAMPING *	
BD17 (HPS)	- 50W thru 150W
ED17 ¹ (MH)	- 50W thru 150W
PAR38	- 70W thru 150W
* All lamps are medium based	
¹ Open Rated only	

SERIES	WATTS	BALLAST	OPTIONS	TRIM / FINISH	TRIM OPTIONS
SGW8MH* Spectrum Gold 8" Vertical Wall Wash	50 70 100 150¹	EX¹ -Electronic, multi-volt 120v thru 277v E1¹ -Electronic 120v (150w MH only) E2¹ -Electronic 277v (150w MH only) H1 -F-Can ballast, 120v H2 -F-Can ballast, 277v HS -High Pressure Sodium	CB24 -C-Channel bars 1-470 CCEA -Chicago Ceiling Plenum CCEA 1-480 CR -Corrosion Resistant 1-460 FS -Fuse holder and fuse PR -Plaster Ring 1-430 RM -Remodeler Housing 1-450 SCA -Slope Ceiling Adaptor 1-435 TBC -T-bar clips 1-475 QRS120 -Quartz Restrike-120v QRS277 -Quartz Restrike-277v	AR8935-SG -Semi-Diffuse Low Iridescent (standard) CL -Clear Bright Alzak GO -Gold Alzak HZ -Matte Low Iridescent PW -Pewter Alzak UM -Umber Alzak WE -Wheat Alzak BL -Black Finish WH -White Finish PF -Polished Flange	CW -Corner Wall Wash DW -Double Wall Wash GS -Gasket
* For High Pressure Sodium use HS	¹ Must specify voltage	¹ Metal Halide only		Note: White flange is standard.	
SGW8MH	100	EX	CB24	AR8935 SG	CW

Dimensions shown are nominal. Spectrum Lighting is continually improving products and reserves the right to make changes that will not alter performance or appearance with or without written notice.



PROJECT:	TYPE:
CAT. NO.:	

