



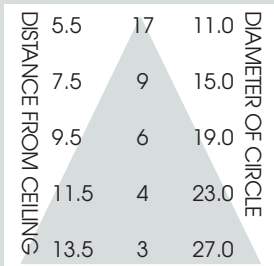
# 8" INCANDESCENT SERIES OPEN WALL WASH 200 WATT MAX

**W8IN**  
**SPECTRUM**  
**GOLD SERIES™**

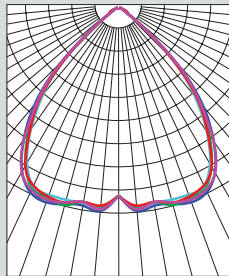
### FEATURES & SPECIFICATIONS:

- Series features a deep reflector for excellent cutoff and even wall wash.
- Intended for Non-IC new construction.
- Frame constructed of 20 ga. galvanized steel.
- Supplied with 27" long, heavy ga. galvanized steel bar hangers.
- **120 Volt** is standard. Use option **T277** for 277v supply feed.
- UL Listed for Damp Locations.
- For options detail, see page numbers listed below.

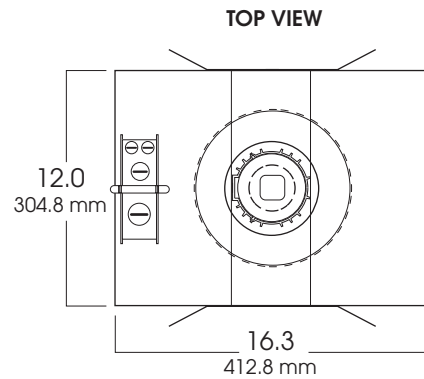
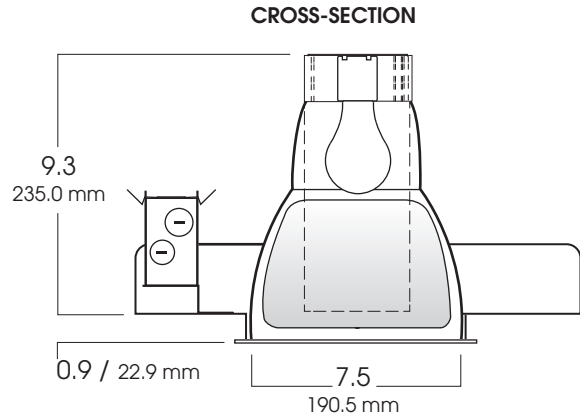
Max Ceiling Thickness: 1.0 (25.4 mm)  
Ceiling Cutout: 8.0 Ø (203.2 mm Ø)  
Fixture Weight: 6.0 lbs



CONE OF LIGHT



W8IN100w- Efficiency: 59.0%  
Spacing: 1.38



SERIES	OPTIONS	TRIM / FINISH	TRIM OPTIONS	FIXTURE LAMPING*						
<b>SGW8IN-</b> Spectrum Gold 8" Vertical Wall Wash	<b>CB24</b> -C-Channel bars 1-470 <b>CCEA</b> -Chicago Ceiling Plenum CCEA 1-480 <b>CR</b> -Corrosion Resistant 1-460 <b>FS</b> -Fuse holder and fuse <b>PR</b> -Plaster Ring 1-430 <b>RM</b> -Remodeler Housing 1-450 <b>SCA</b> -Slope Ceiling Adaptor 1-435 <b>TBC</b> -T-bar clips 1-475 <b>T277</b> -Step down Transformer 277v to 120v	<b>AR8935-SG</b> -Semi-Diffuse Low Iridescent (standard) <b>CL</b> -Clear Bright Alzak <b>GO</b> -Gold Alzak <b>HZ</b> -Matte Low Iridescent <b>PW</b> -Pewter Alzak <b>UM</b> -Umber Alzak <b>WE</b> -Wheat Alzak <b>BL</b> -Black Finish <b>WH</b> -White Finish <b>PF</b> -Polished Flange  Note: White flange is standard.	<b>CW</b> -Corner Wall Wash <b>DW</b> -Double Wall Wash <b>GS</b> -Gasket	<table border="1"> <thead> <tr> <th>LAMP</th> <th>MAX. WATTAGE</th> </tr> </thead> <tbody> <tr> <td>A 19</td> <td>100w</td> </tr> <tr> <td>A 21</td> <td>200w</td> </tr> </tbody> </table> <p>*Medium Base</p>	LAMP	MAX. WATTAGE	A 19	100w	A 21	200w
LAMP	MAX. WATTAGE									
A 19	100w									
A 21	200w									
<b>SGW8IN</b>	<b>CB24</b>	<b>AR8935 SG</b>	<b>CW</b>							

Dimensions shown are nominal. Spectrum Lighting is continually improving products and reserves the right to make changes that will not alter performance or appearance with or without written notice.



<b>PROJECT:</b>	<b>TYPE:</b>
<b>CAT. NO.:</b>	

