



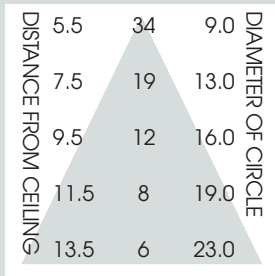
8" HORIZONTAL FLUORESCENT OPEN WASH WALL 2 x 42 WATT MAX

W8H
SPECTRUM
GOLD SERIES™

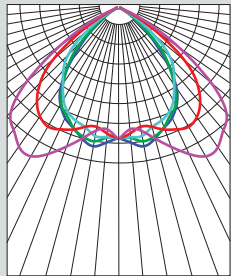
FEATURES & SPECIFICATIONS:

- SGW8H is a medium depth open wall wash fixture.
- Intended for Non-IC new construction.
For IC applications, refer to page 1-400.
- Frame constructed of 20 ga. galvanized steel.
- Supplied with 27" long, heavy ga. galvanized steel bar hangers.
- Ballasts shall be integrally mounted, electronic sound rated "A", Class P, multi-volt 120v - 277v.
- UL Listed for Damp Locations.
- For options detail, see page numbers listed below.

Max Ceiling Thickness: 1.5 (38.1 mm)
Ceiling Cutout: 8.0 Ø (203.2 mm Ø)
Fixture Weight: 6.4 lbs

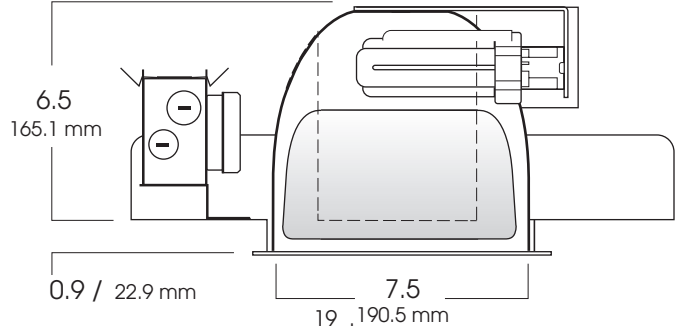


CONE OF LIGHT

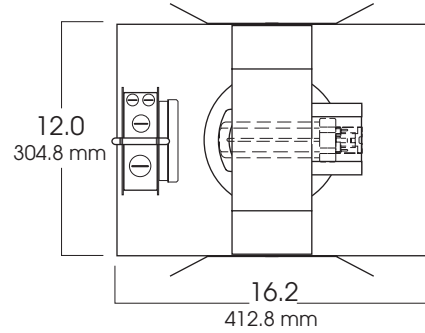


W8H232w - Efficiency: 49.0%
Spacing: 1.27

CROSS-SECTION



TOP VIEW



SERIES	WATTS	BALLAST	OPTIONS	REFLECTOR TRIM / FINISH	TRIM OPTIONS	
SGW8H- Spectrum Gold 8" Horizontal Wall Wash	(1 or 2) 13¹ (1 or 2) 18¹ (1 or 2) 26Q¹ (1 or 2) 26T² (1 or 2) 32 (1 or 2) 42	EX -Electronic, multi-volt 120v thru 277v DA1 -Advance Mark 10™ powerline dimming, 120v ¹ DA2 -Advance Mark 10™ powerline dimming, 277v ¹ DAM7 -Advance Mark 7™ 0-10v dimming, 120v thru 277v DL1 -Lutron Compact SE™ 120v (min. dimming level 5%) ¹ DL2 -Lutron Compact SE™ 277v (min. dimming level 5%) ¹	CB24 -C-Channel bars 1-470 CCEA -Chicago Ceiling Plenum CCEA 1-480 CR -Corrosion Resistant 1-460 EM -Emergency battery pack 1-420 FS -Fuse holder and fuse IC -Insulation Contact 1-400 PR -Plaster Ring 1-430 RM -Remodeler Housing 1-450 SCA -Slope Ceiling Adaptor 1-435 TBC -T-bar clips 1-475 TST -Twist-Lok Socket 1-425	AR8905- (2 lamp) 13w, 18w, 26wQ lamps AR8915- (1 lamp) 13w, 18w, 26wQ, 26wT, 32w, 42w lamps AR8925- (2 lamp) x 26wT, 32w, 42w lamps	SG -Semi-Diffuse Low Iridescent (standard) CL -Clear Bright Alzak GO -Gold Alzak HZ -Matte Low Iridescent PW -Pewter Alzak UM -Umber Alzak WE -Wheat Alzak BL -Black Finish WH -White Finish PF -Polished Flange Note: White flange is standard.	CW -Corner Wall Wash DW -Double Wall Wash GS -Gasket
SGW8H	242	EX	EM/	AR8925 SG	CW	

Dimensions shown are nominal. Spectrum Lighting is continually improving products and reserves the right to make changes that will not alter performance or appearance with or without written notice.



PROJECT:	TYPE:
CAT. NO.:	

